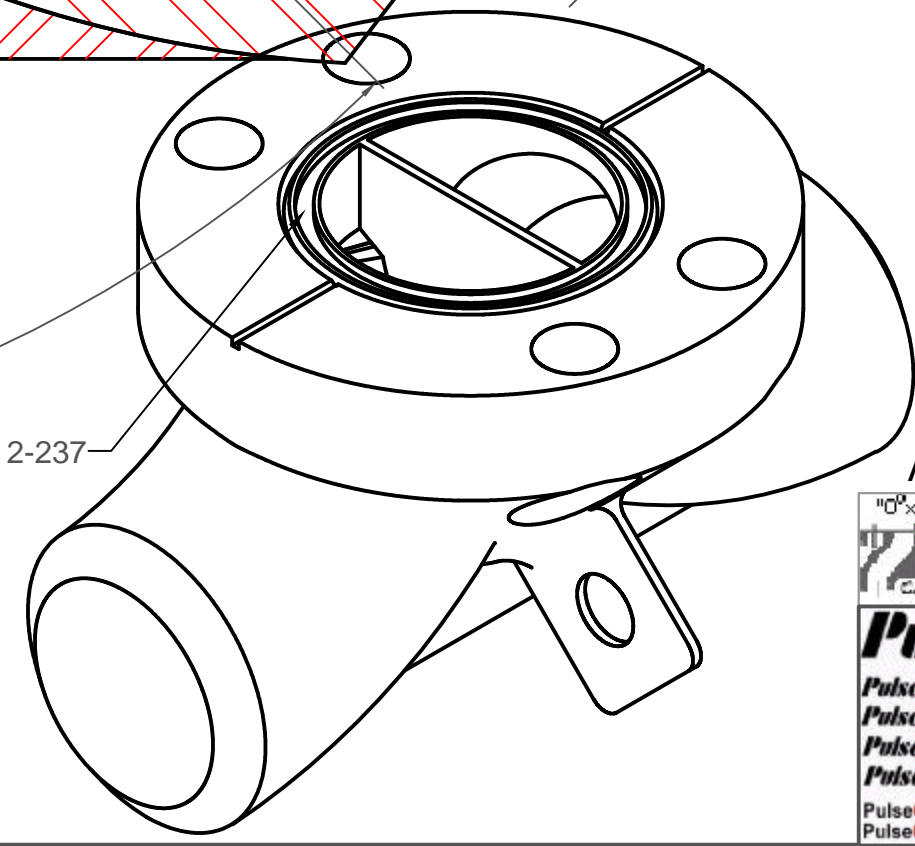
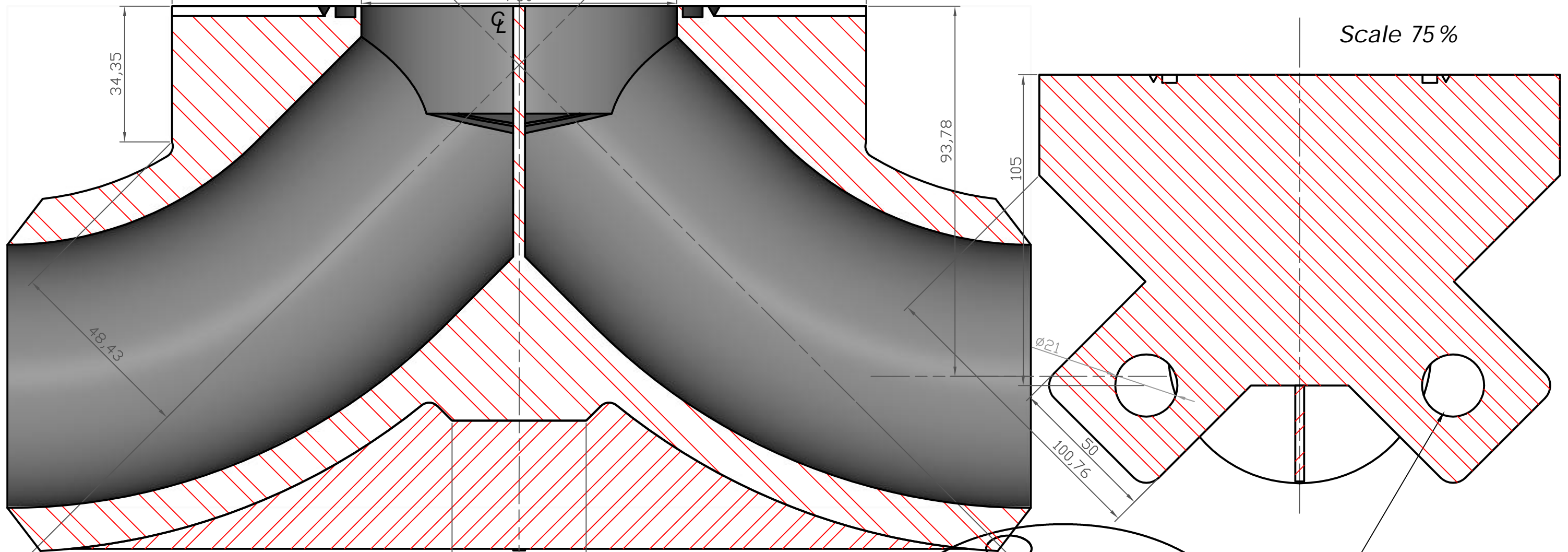


PB-423Op-3"x3" Pipes weld prep / 90°x90° / 7"OD Piping Base connection block, by **PulseGuard**

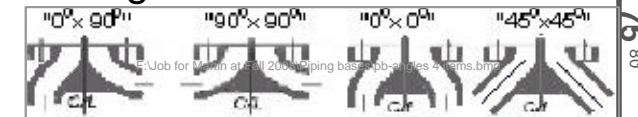
Scale 100%

Scale 75%



Mounting hole
Mount the Piping Base
and do not restrain the
dampener on it

Angles stated relative to C/L



PulseGuard <http://www.PulseGuard.com>
<http://www.PulseGuard.co.uk>

PulseGuard für Deutschland www.pulsationdaempfer.com

PulseGuard, de langue Française www.amortisseurs-des-pulsations.com

PulseGuard, en Español / en América www.amortiguador-de-pulsaciones.com

PulseGuard, для Русскоговорящих www.pulsations-dampfer.com

PulseGuard is the USA registered trade mark of PulseGuard Inc.
 PulseGuard is the UK registered trade mark of PulseGuard Ltd.

Stays part of piping system - instead of a "T"