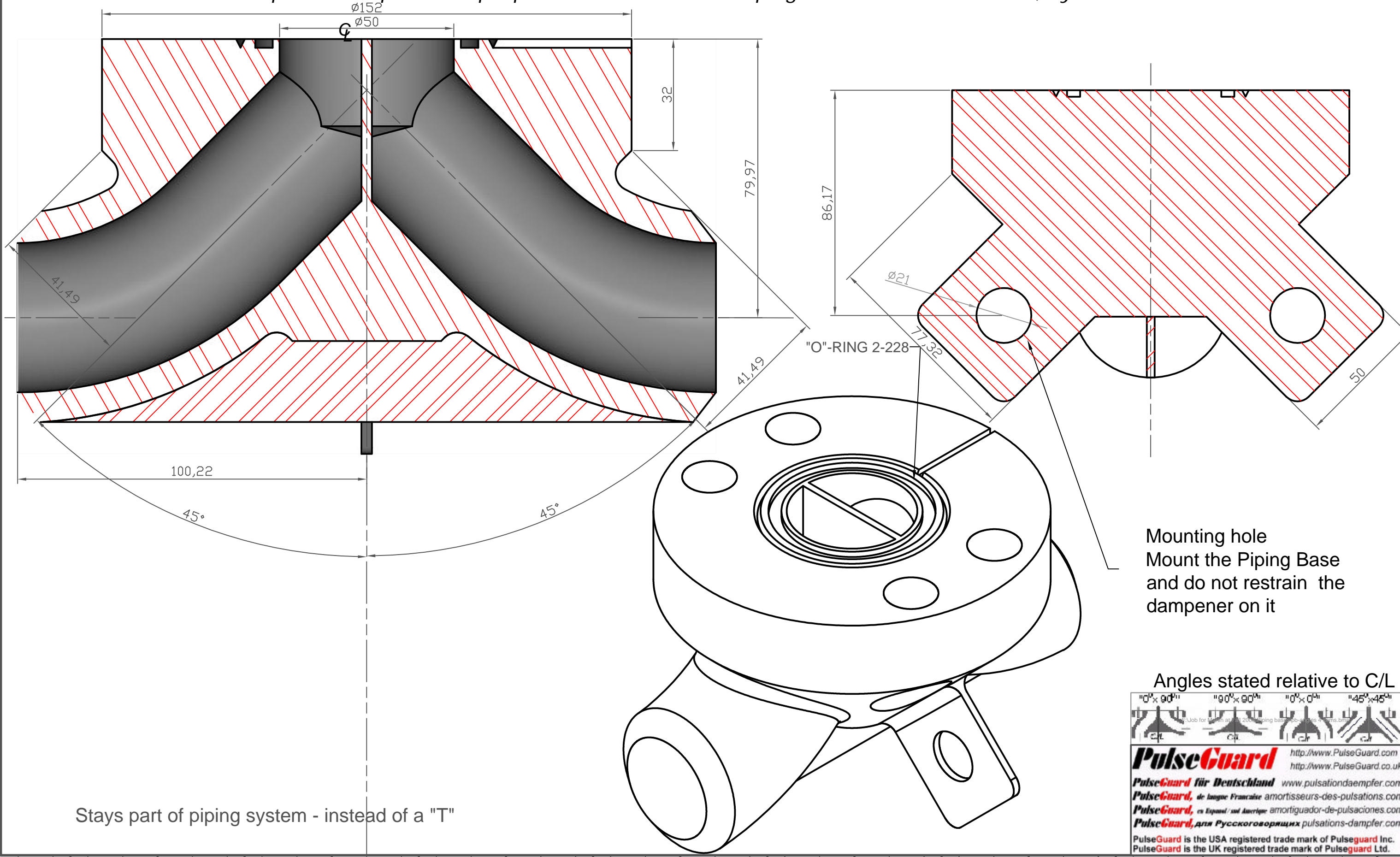


PB-646Op-2"x 2" Pipes weld prep/ 90°x90° / 6"OD Piping Base connection block, by **PulseGuard**



Mounting hole  
Mount the Piping Base  
and do not restrain the  
dampener on it

Angles stated relative to C/L



**PulseGuard** <http://www.PulseGuard.com>  
<http://www.PulseGuard.co.uk>

**PulseGuard für Deutschland** [www.pulsationdaempfer.com](http://www.pulsationdaempfer.com)  
**PulseGuard, de langue Francaise** [amortisseurs-des-pulsations.com](http://amortisseurs-des-pulsations.com)  
**PulseGuard, en Espanol / sul America** [amortiguador-de-pulsaciones.com](http://amortiguador-de-pulsaciones.com)  
**PulseGuard, для Русскоговорящих** [pulsations-dampfer.com](http://pulsations-dampfer.com)

PulseGuard is the USA registered trade mark of PulseGuard Inc.  
 PulseGuard is the UK registered trade mark of PulseGuard Ltd.

Stays part of piping system - instead of a "T"