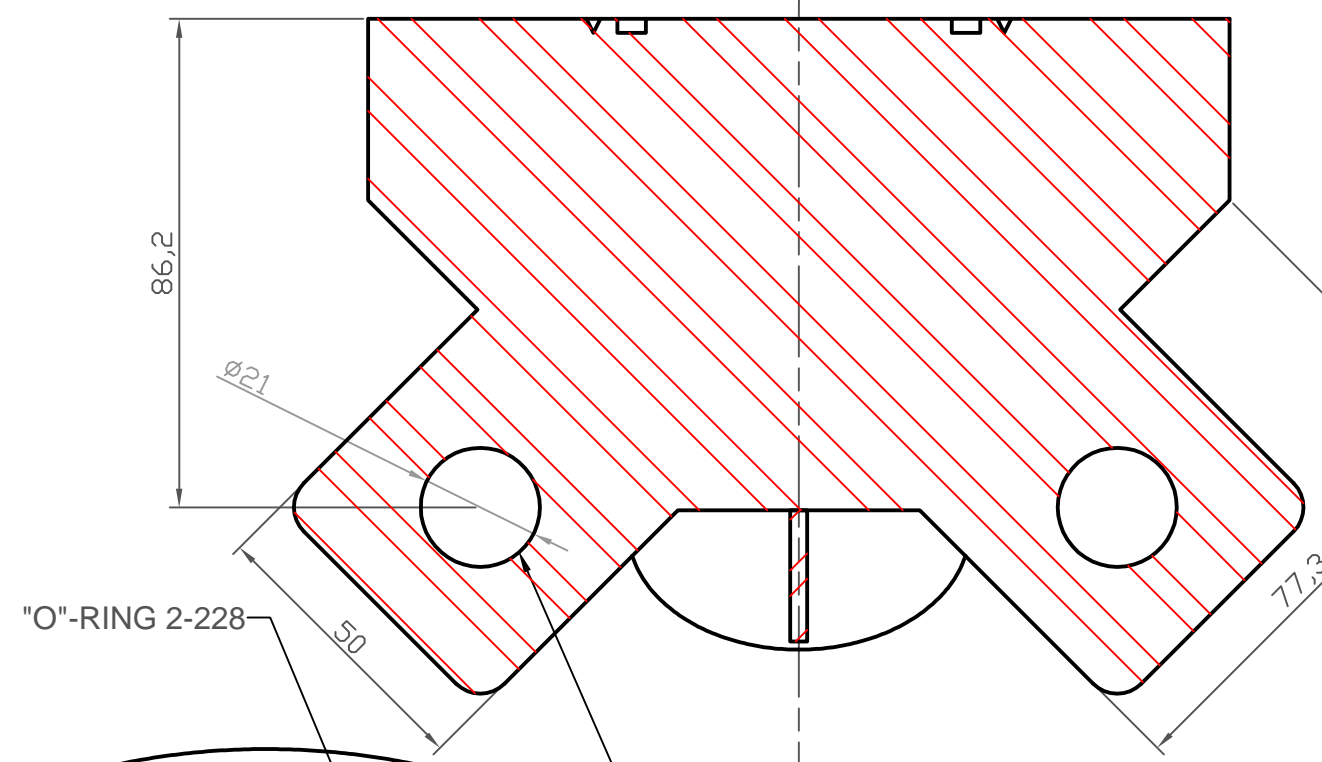
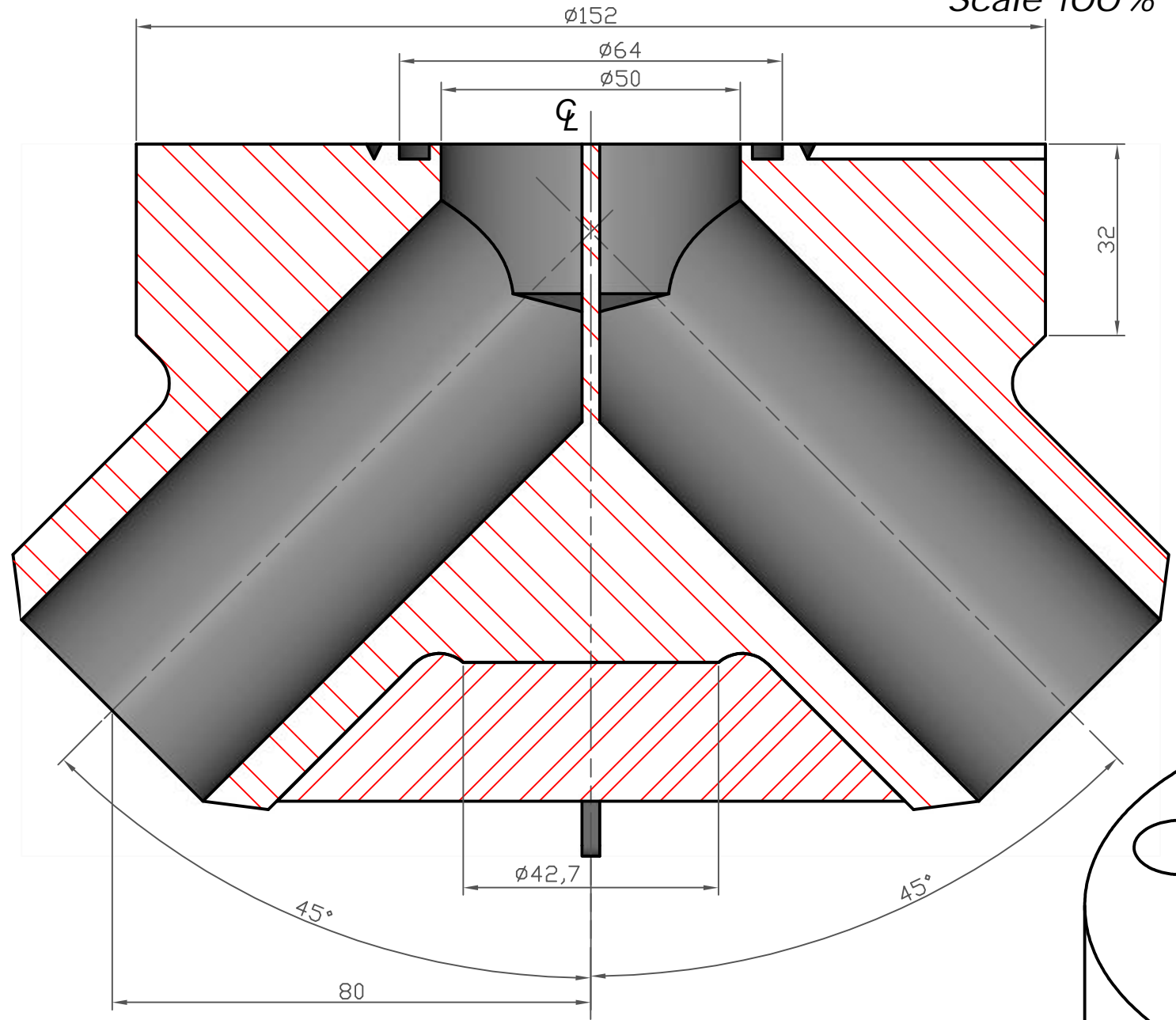


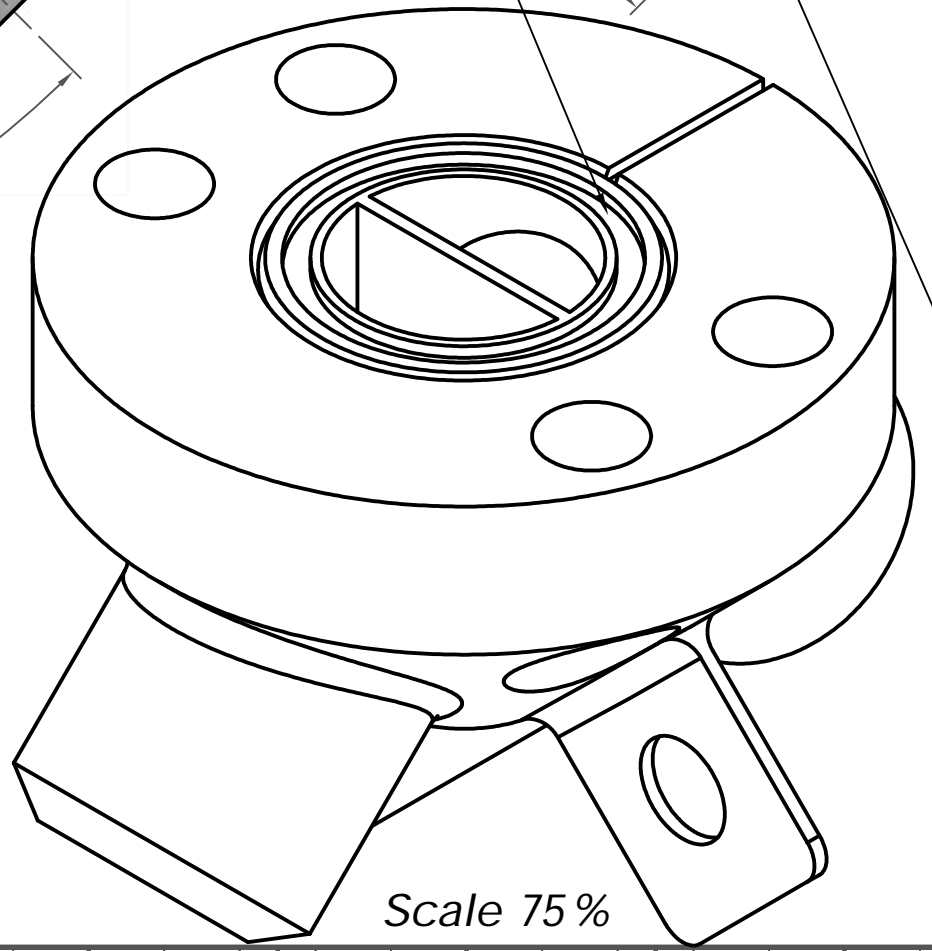
PB-646Op-2"x 2" Pipes weld prep/ 45°x45° / 6"OD Piping Base connection block, by **PulseGuard**

Scale 100%

Scale 75%



"O"-RING 2-228

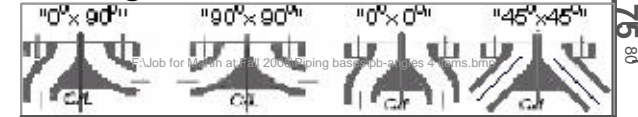


Mounting hole
Mount the Piping Base
and do not restrain the
dampener on it

Stays part of piping system - instead of a "T"

Scale 75%

Angles stated relative to C/L



PulseGuard <http://www.PulseGuard.com>
<http://www.PulseGuard.co.uk>

PulseGuard für Deutschland www.pulsationdaempfer.com

PulseGuard, de langue Francaise amortisseurs-des-pulsations.com

PulseGuard, en Espagnol / sul America amortiguador-de-pulsaciones.com

PulseGuard, для Русскоговорящих pulsations-dampfer.com

PulseGuard is the USA registered trade mark of PulseGuard Inc.
 PulseGuard is the UK registered trade mark of PulseGuard Ltd.