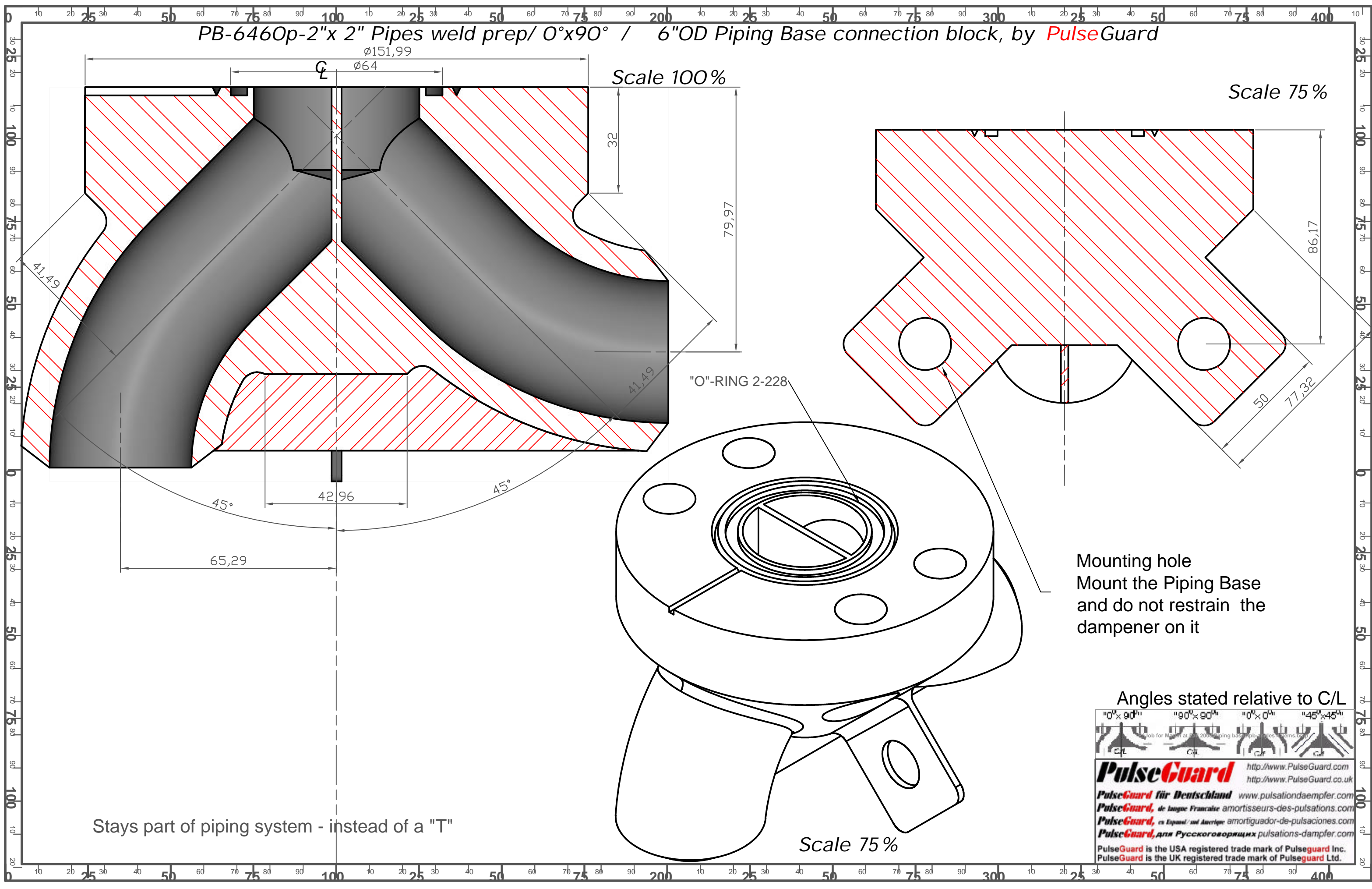


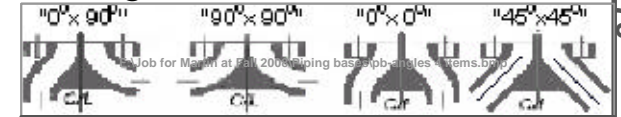
PB-646Op-2"x 2" Pipes weld prep/ 0°x90° / 6"OD Piping Base connection block, by **PulseGuard**



"O"-RING 2-228

Mounting hole
Mount the Piping Base
and do not restrain the
dampener on it

Angles stated relative to C/L



PulseGuard <http://www.PulseGuard.com>
<http://www.PulseGuard.co.uk>

PulseGuard für Deutschland www.pulsationdaempfer.com

PulseGuard, de langue Francaise amortisseurs-des-pulsations.com

PulseGuard, en Espanol / sul America amortiguador-de-pulsaciones.com

PulseGuard, для Русскоговорящих pulsations-dampfer.com

PulseGuard is the USA registered trade mark of PulseGuard Inc.
 PulseGuard is the UK registered trade mark of PulseGuard Ltd.