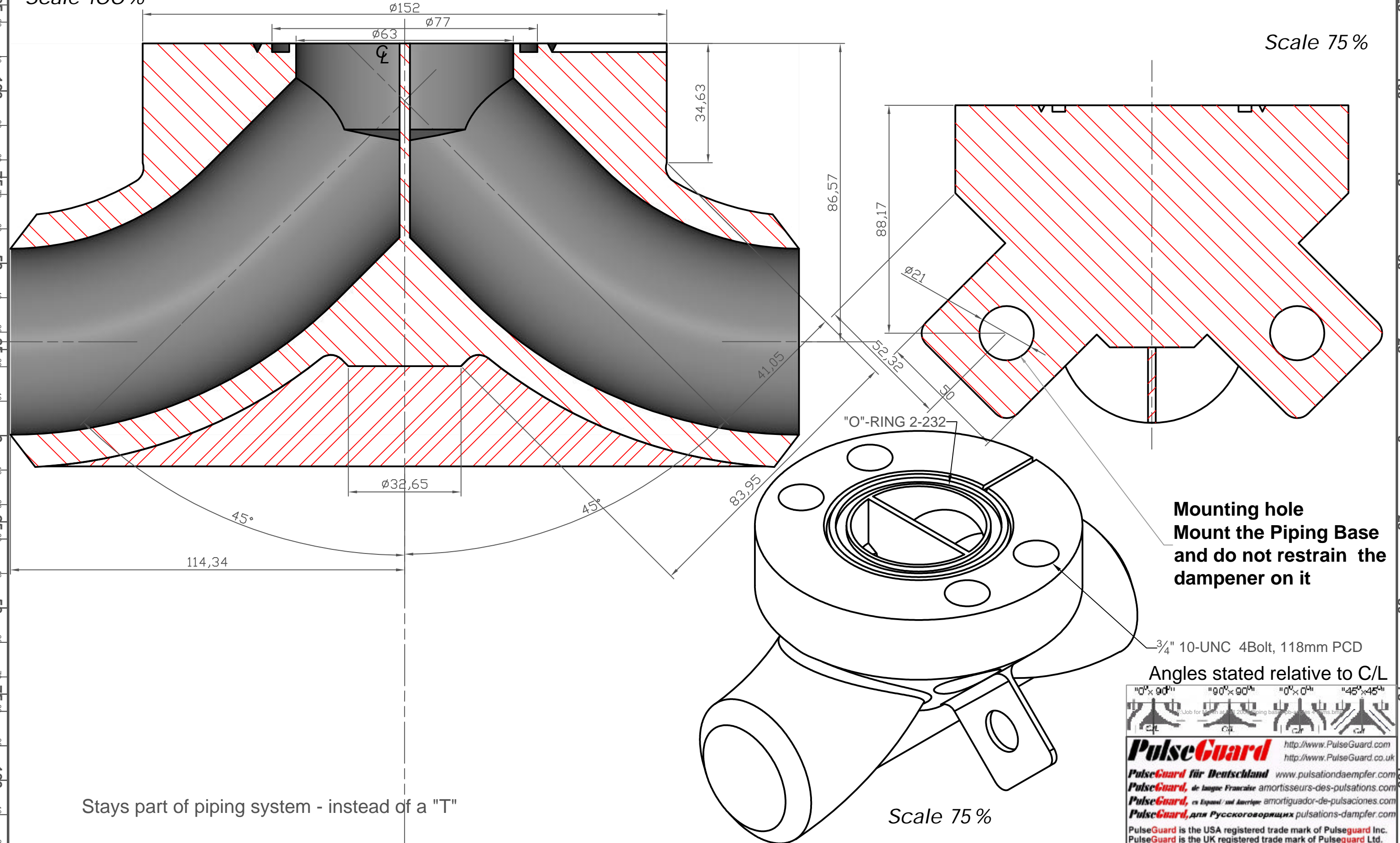


Scale 100%

PB-4350p-2 1/2 "x 2 1/2 " Pipes weld prep/ 90°x90° / 6"OD Piping Base connection block, by PulseGuard

Scale 75%



Mounting hole
Mount the Piping Base
and do not restrain the
dampener on it

3/4" 10-UNC 4Bolt, 118mm PCD



PulseGuard <http://www.PulseGuard.com>
<http://www.PulseGuard.co.uk>

PulseGuard für Deutschland www.pulsationdaempfer.com
PulseGuard, de langue Francaise www.amortisseurs-des-pulsations.com
PulseGuard, en Espagnol / sul America www.amortiguador-de-pulsaciones.com
PulseGuard, для Русскоговорящих [pulsations-dampfer.com](http://www.pulsations-dampfer.com)

PulseGuard is the USA registered trade mark of PulseGuard Inc.
 PulseGuard is the UK registered trade mark of PulseGuard Ltd.

Stays part of piping system - instead of a "T"

Scale 75%