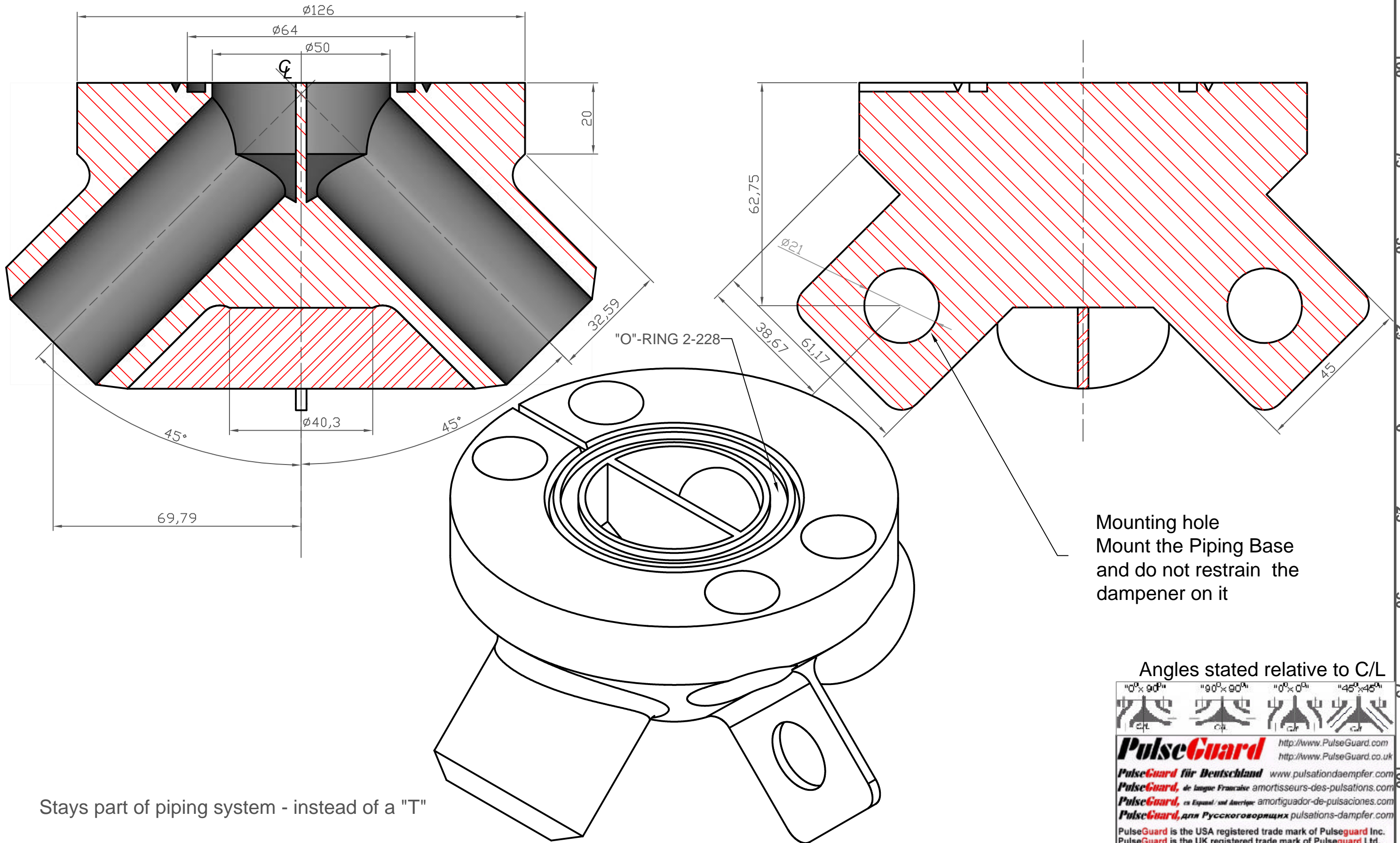


PB-646Op-1 1/2" x 1 1/2" Pipes weld prep/ 45°x45° / 5"OD Piping Base connection block, by PulseGuard



Mounting hole
Mount the Piping Base
and do not restrain the
dampener on it

Angles stated relative to C/L



PulseGuard <http://www.PulseGuard.com>
<http://www.PulseGuard.co.uk>

PulseGuard für Deutschland www.pulsationdaempfer.com
PulseGuard, de langue Française amortisseurs-des-pulsations.com
PulseGuard, en Español / and America amortiguador-de-pulsaciones.com
PulseGuard, для Русскоговорящих pulsations-dampfer.com

PulseGuard is the USA registered trade mark of Pulseguard Inc.
 PulseGuard is the UK registered trade mark of Pulseguard Ltd.

Stays part of piping system - instead of a "T"