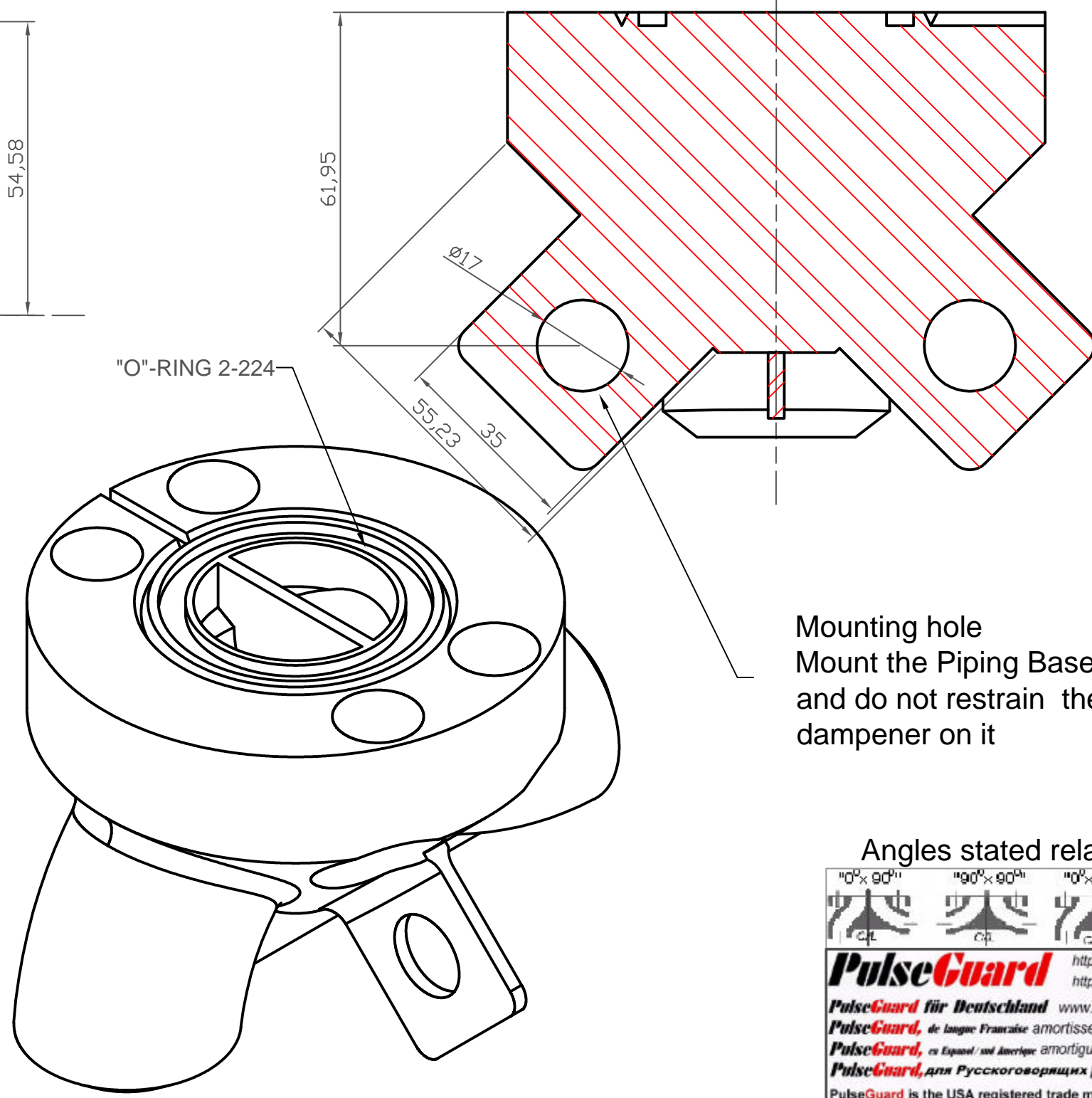
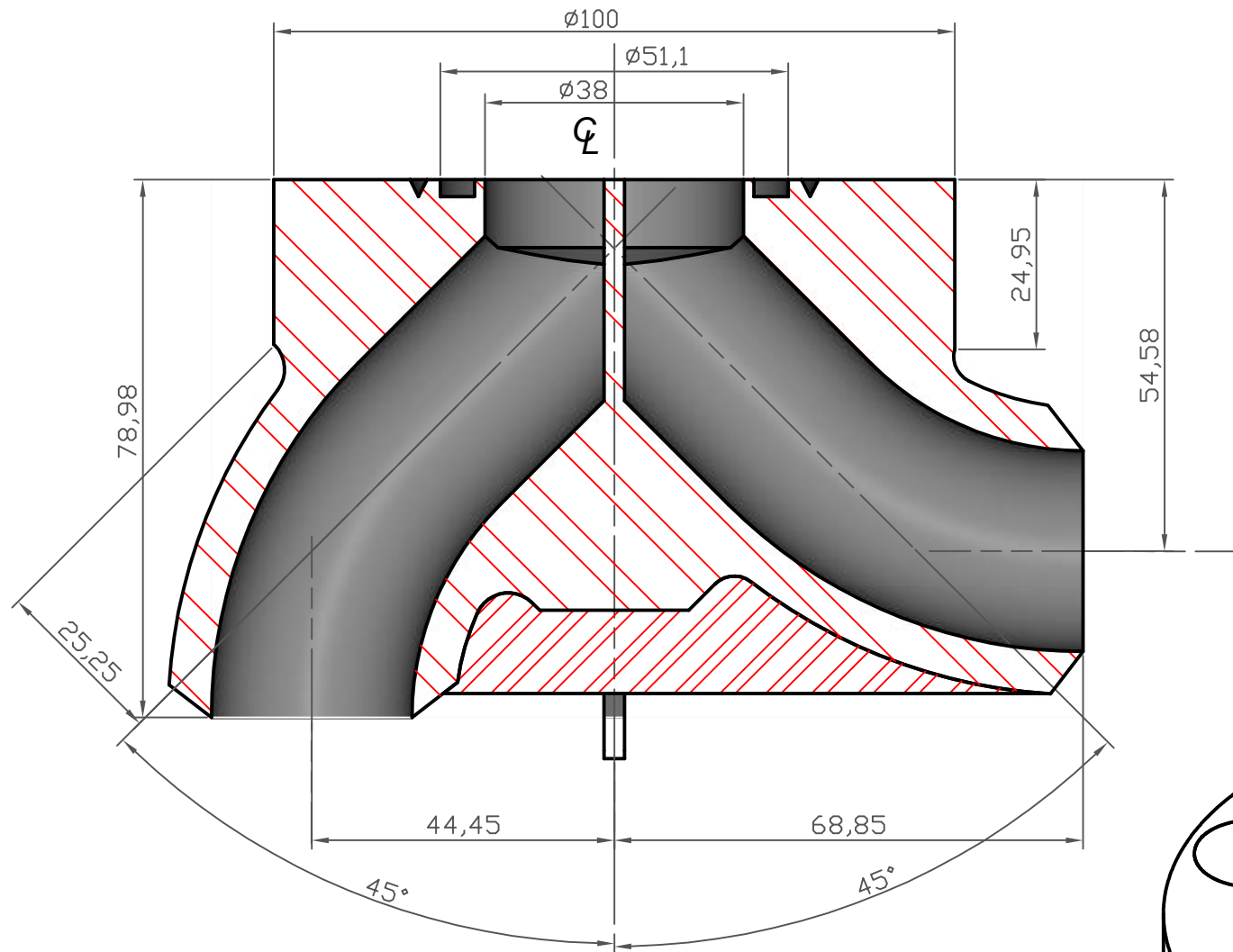


PB-685Op /1 1/4" x 1 1/4" Pipes weld prep/ 0°x90° / 4"OD Piping Base connection block, by PulseGuard



Mounting hole
Mount the Piping Base
and do not restrain the
dampener on it

Stays part of piping system - instead of a "T"

Angles stated relative to C/L



PulseGuard <http://www.PulseGuard.com>
<http://www.PulseGuard.co.uk>
PulseGuard für Deutschland www.pulsationdaempfer.com
PulseGuard, de langue Française amortisseurs-des-pulsations.com
PulseGuard, en Español / sud America amortiguador-de-pulsaciones.com
PulseGuard, для Русскоговорящих pulsations-dampfer.com
 PulseGuard is the USA registered trade mark of PulseGuard Inc.
 PulseGuard is the UK registered trade mark of PulseGuard Ltd.