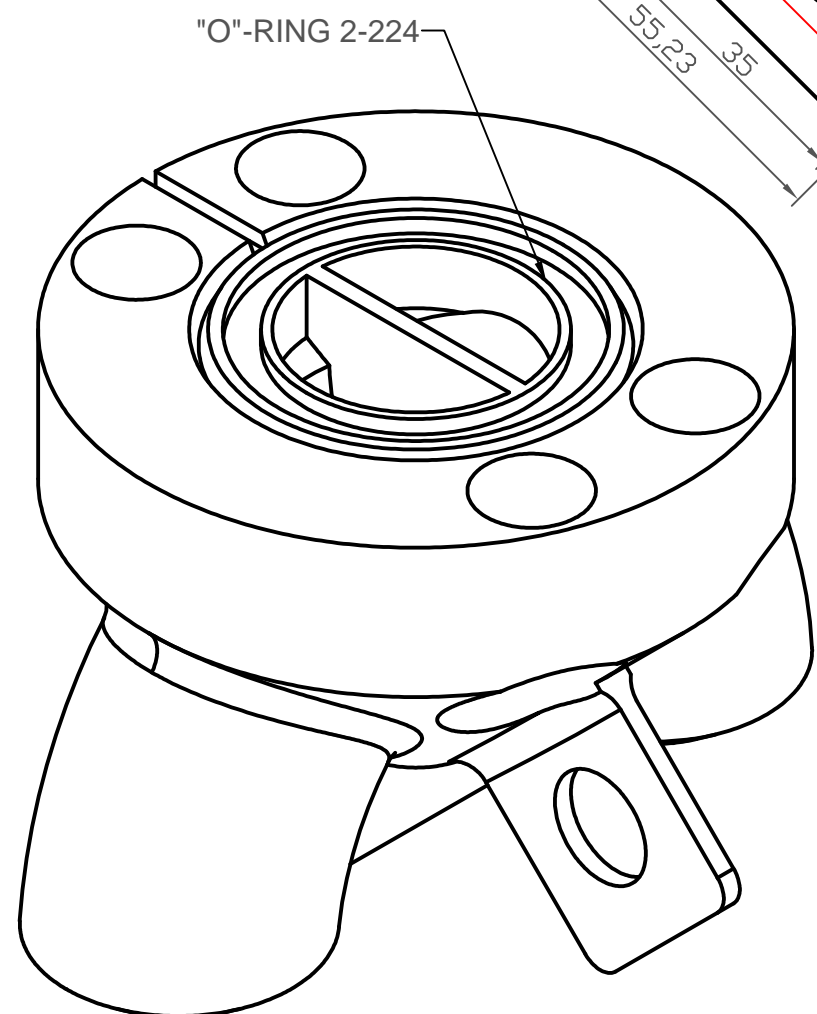
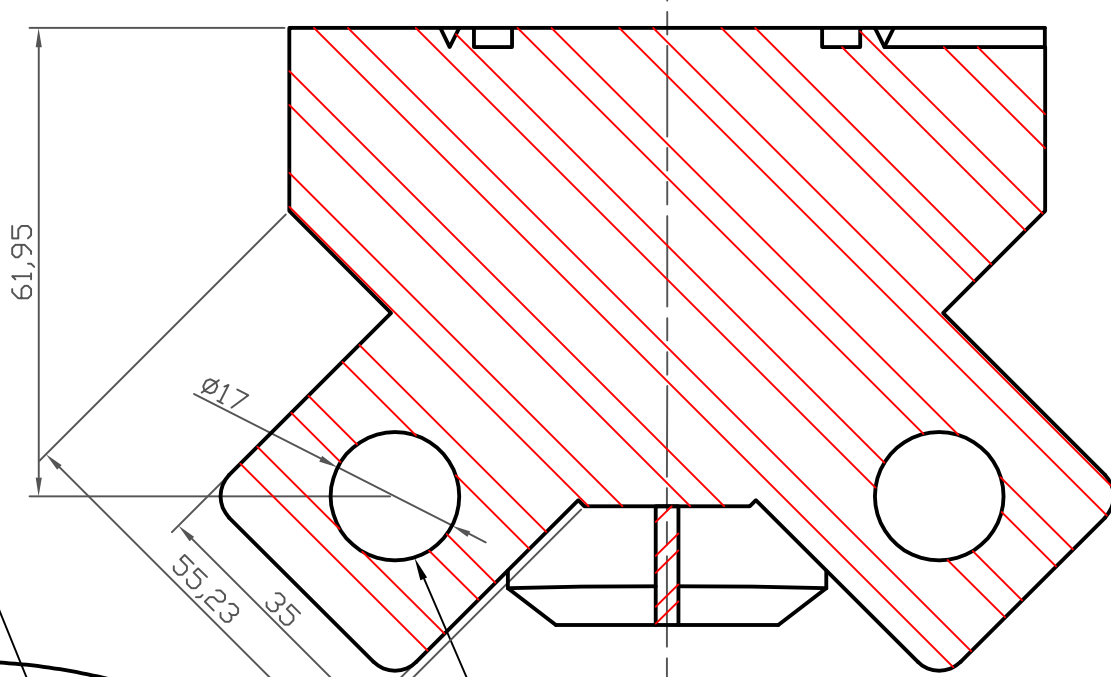
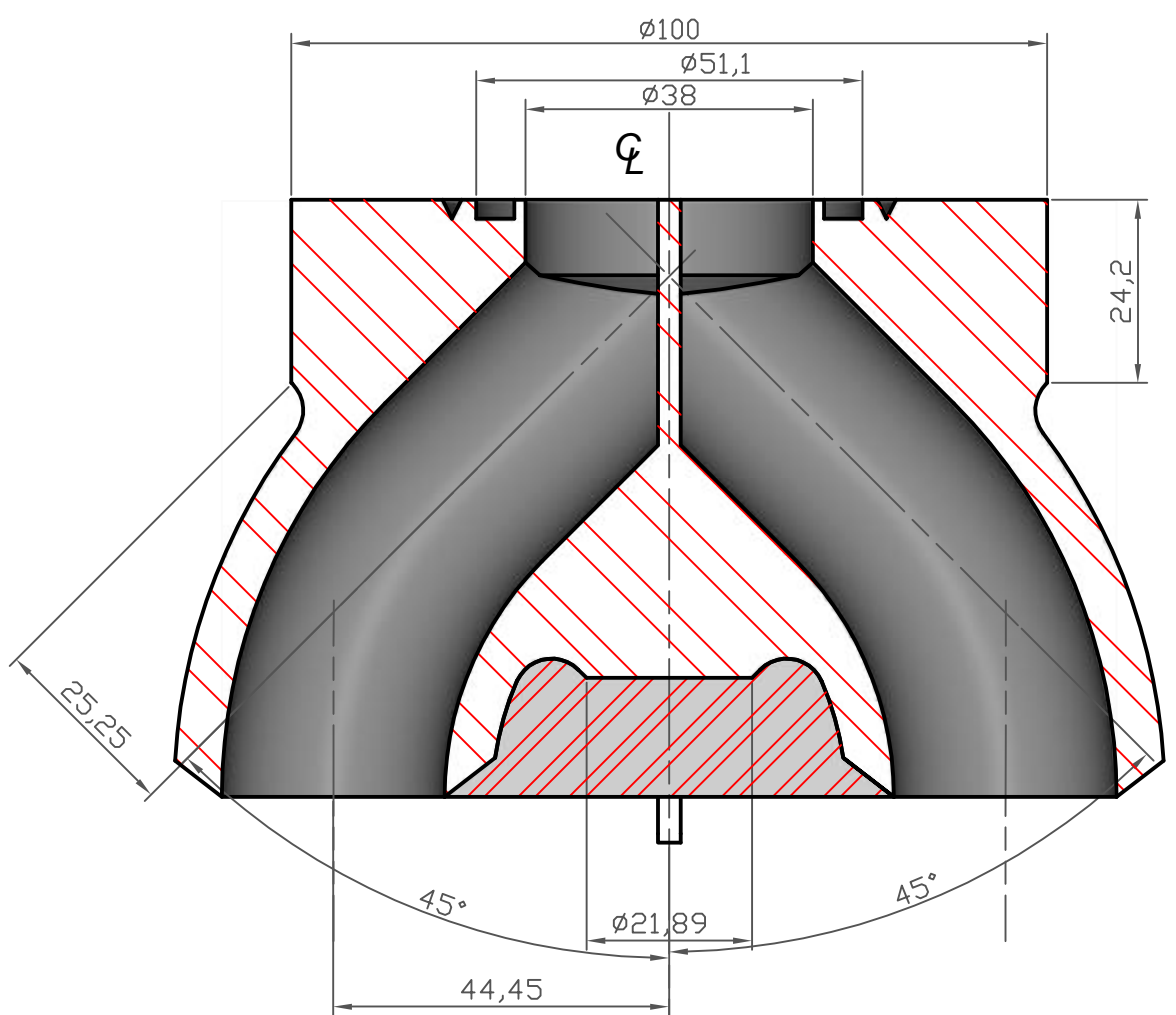


PB-685Op / 1 1/4" x 1 1/4" Pipes weld prep/ 0°x0° / 4"OD Piping Base connection block, by PulseGuard



Mounting hole  
Mount the Piping Base  
and do not restrain the  
dampener on it

Stays part of piping system - instead of a "T"

Angles stated relative to C/L

**PulseGuard** <http://www.PulseGuard.com>  
<http://www.PulseGuard.co.uk>

**PulseGuard für Deutschland** [www.pulsationdaempfer.com](http://www.pulsationdaempfer.com)  
**PulseGuard, de langue Française** [amortisseurs-des-pulsations.com](http://amortisseurs-des-pulsations.com)  
**PulseGuard, en Español / sud América** [amortiguador-de-pulsaciones.com](http://amortiguador-de-pulsaciones.com)  
**PulseGuard, для Русскоговорящих** [pulsations-dampfer.com](http://pulsations-dampfer.com)

PulseGuard is the USA registered trade mark of Pulseguard Inc.  
 PulseGuard is the UK registered trade mark of Pulseguard Ltd.