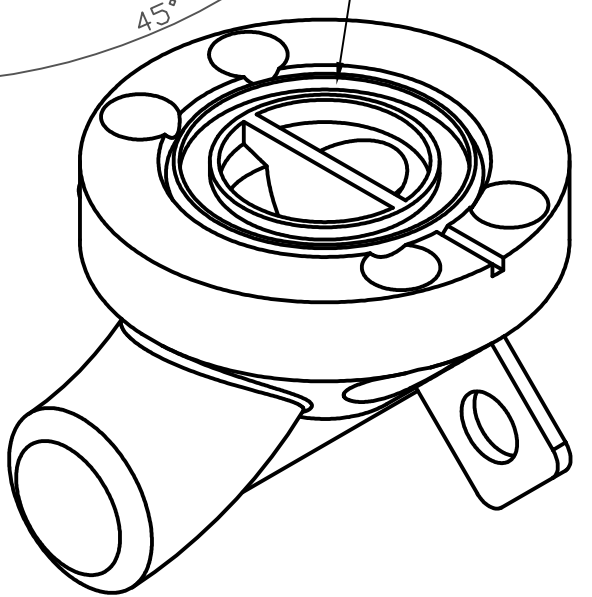
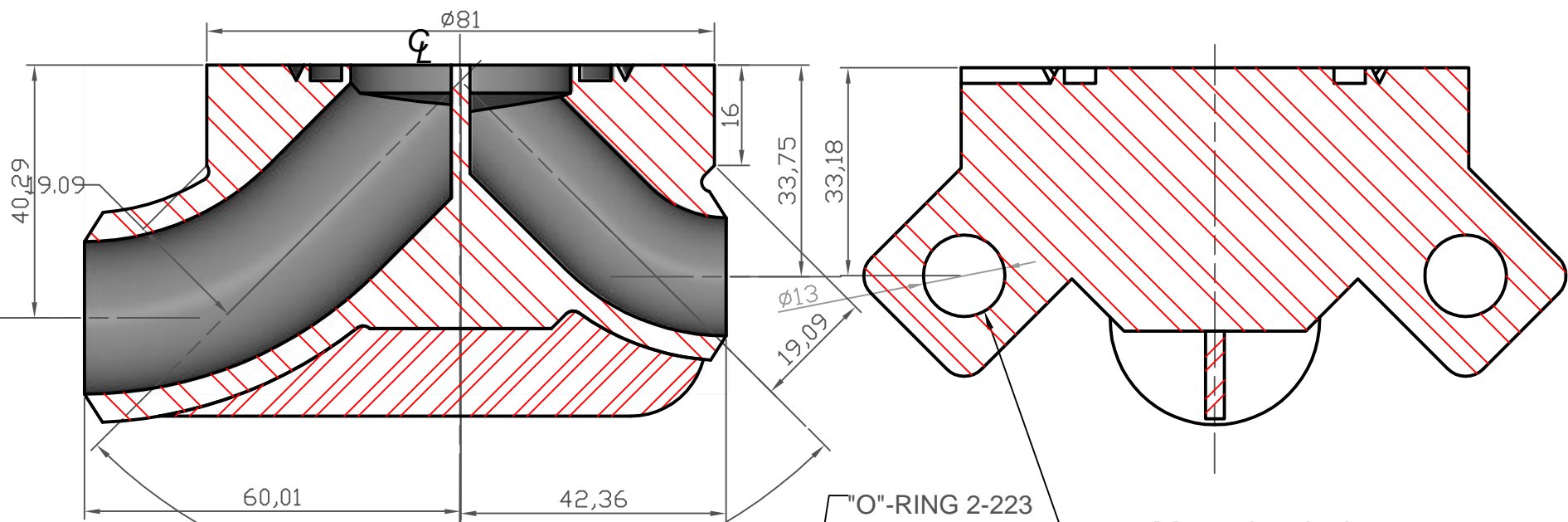


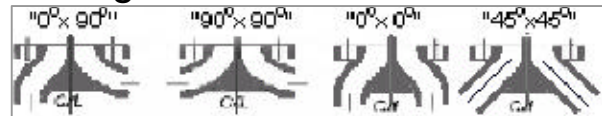
PB-3770p / 3/4" x 1" Pipes weld prep/ 90°x90° / 3 1/4" OD Piping Base connection block, by PulseGuard



"O"-RING 2-223
 Mounting hole
 Mount the Piping Base
 and do not restrain the
 dampener on it

Stays part of piping system
 - instead of a "T"

Angles stated relative to C/L



PulseGuard <http://www.PulseGuard.com>
<http://www.PulseGuard.co.uk>
PulseGuard für Deutschland www.pulsationdaempfer.com
PulseGuard, de langue Française amortisseurs-des-pulsations.com
PulseGuard, es Español / sud America amortiguador-de-pulsaciones.com
PulseGuard, для Русскоговорящих pulsations-dampfer.com
 PulseGuard is the USA registered trade mark of Pulseguard Inc.
 PulseGuard is the UK registered trade mark of Pulseguard Ltd.