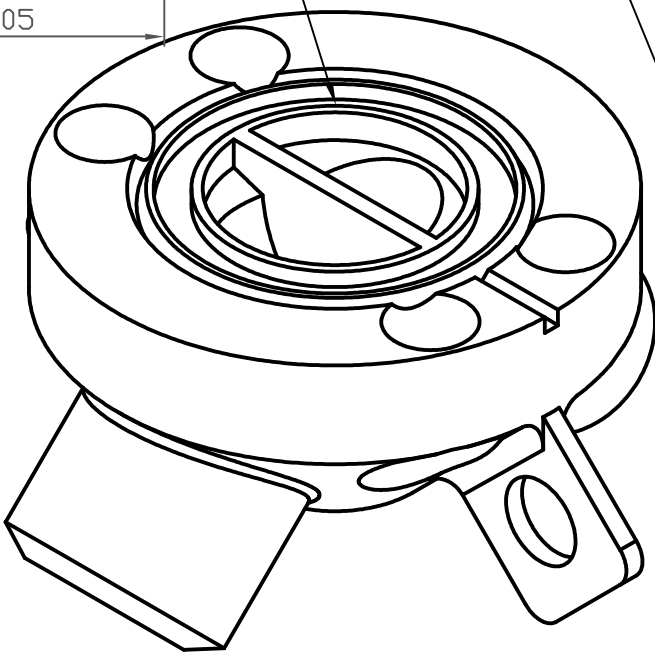
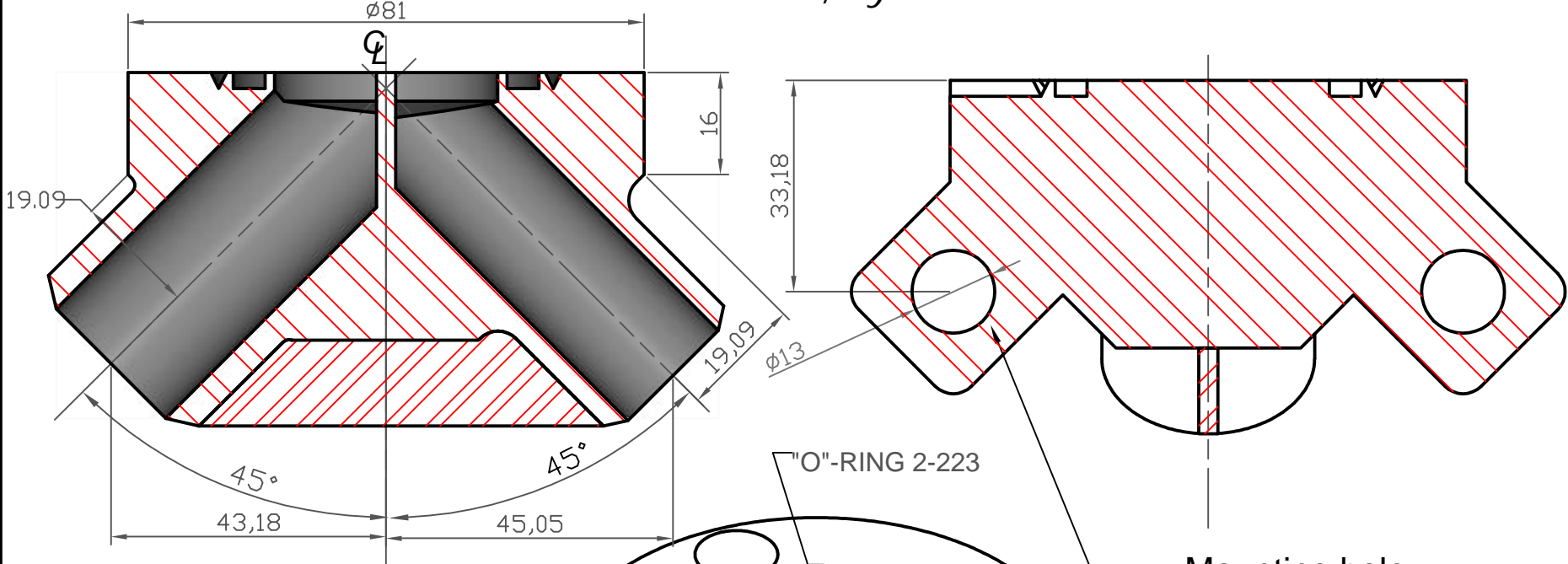


PB-3770p / 3/4" x 1" Pipes weld prep/ 45°x45° / 3 1/4" OD Piping Base connection block, by **PulseGuard**



"O"-RING 2-223

Mounting hole
Mount the Piping Base
and do not restrain the
dampener on it

Stays part of piping system
- instead of a "T"

Angles stated relative to C/L



PulseGuard <http://www.PulseGuard.com>
<http://www.PulseGuard.co.uk>
PulseGuard für Deutschland www.pulsationdaempfer.com
PulseGuard, de langue Francaise amortisseurs-des-pulsations.com
PulseGuard, en Español / sud America amortiguador-de-pulsaciones.com
PulseGuard, для Русскоговорящих pulsations-dampfer.com
 PulseGuard is the USA registered trade mark of PulseGuard Inc.
 PulseGuard is the UK registered trade mark of PulseGuard Ltd.