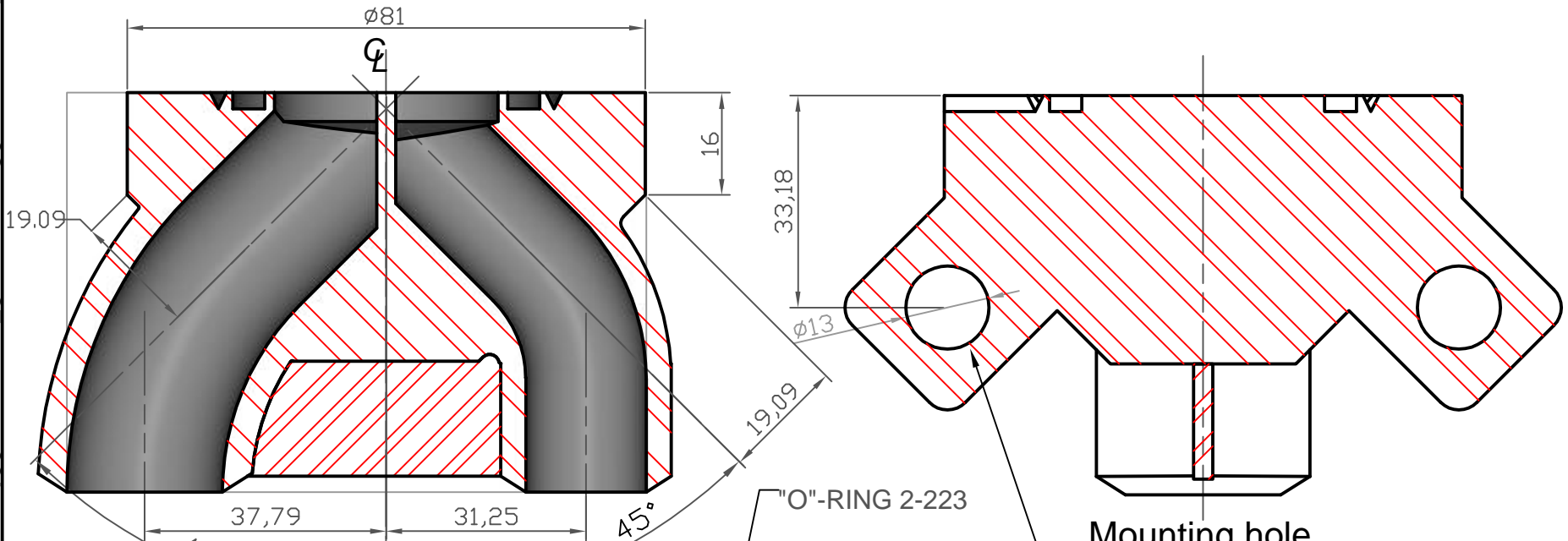
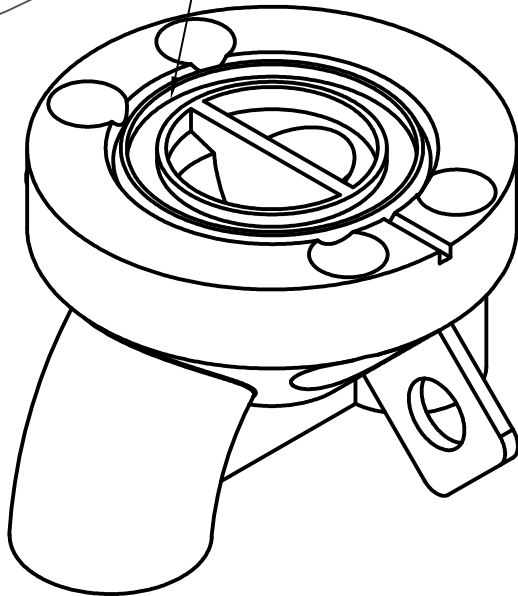


PB-3770p / 3/4" x 1" Pipes weld prep/ 0°x0° / 3 1/4" OD Piping Base connection block, by PulseGuard



"O"-RING 2-223  
 Mounting hole  
 Mount the Piping Base  
 and do not restrain the  
 dampener on it

Stays part of piping system  
 - instead of a "T"



**PulseGuard** <http://www.PulseGuard.com>  
<http://www.PulseGuard.co.uk>  
**PulseGuard für Deutschland** [www.pulsationdaempfer.com](http://www.pulsationdaempfer.com)  
**PulseGuard, de langue Française** [amortisseurs-des-pulsations.com](http://amortisseurs-des-pulsations.com)  
**PulseGuard, en Español / sud America** [amortiguador-de-pulsaciones.com](http://amortiguador-de-pulsaciones.com)  
**PulseGuard, для Русскоговорящих** [pulsations-dampfer.com](http://pulsations-dampfer.com)  
 PulseGuard is the USA registered trade mark of Pulseguard Inc.  
 PulseGuard is the UK registered trade mark of Pulseguard Ltd.