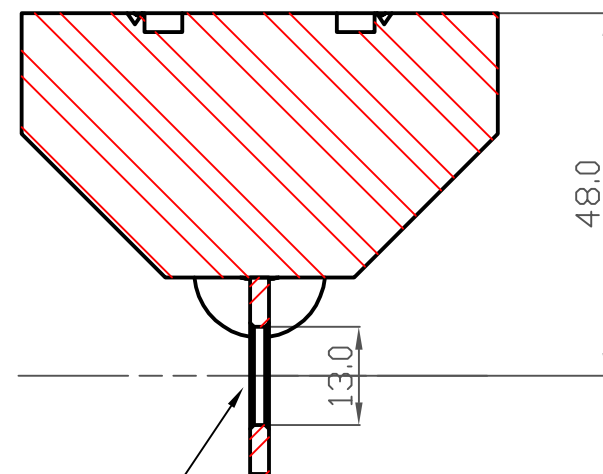
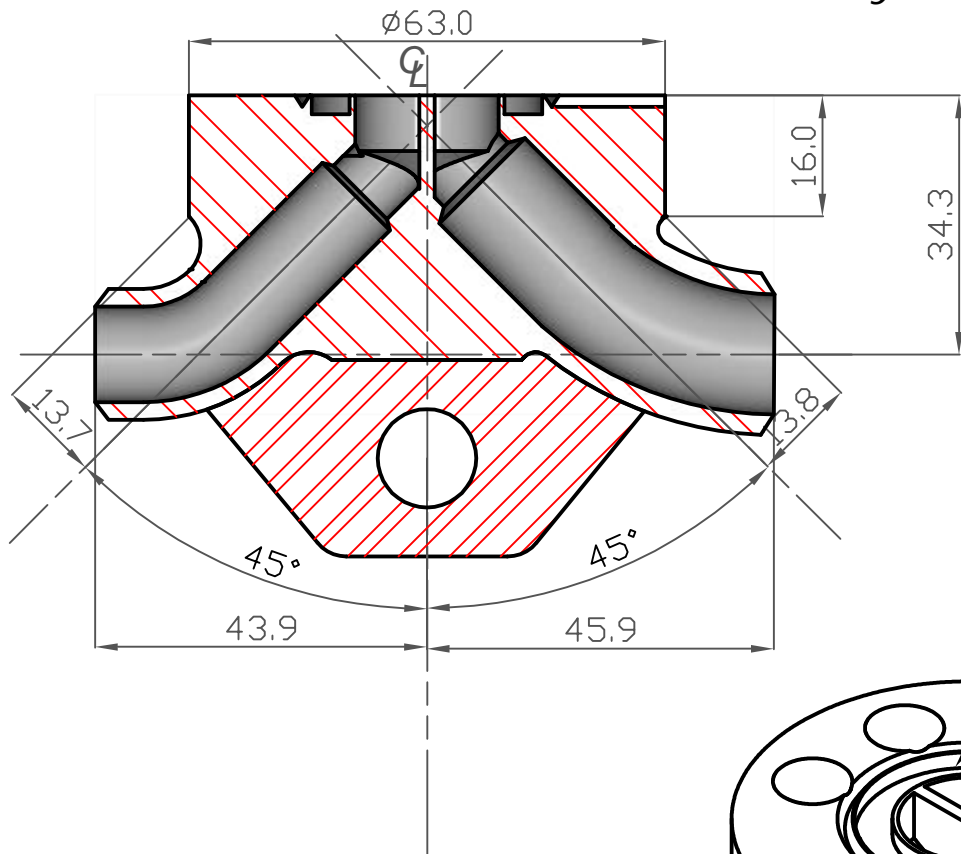
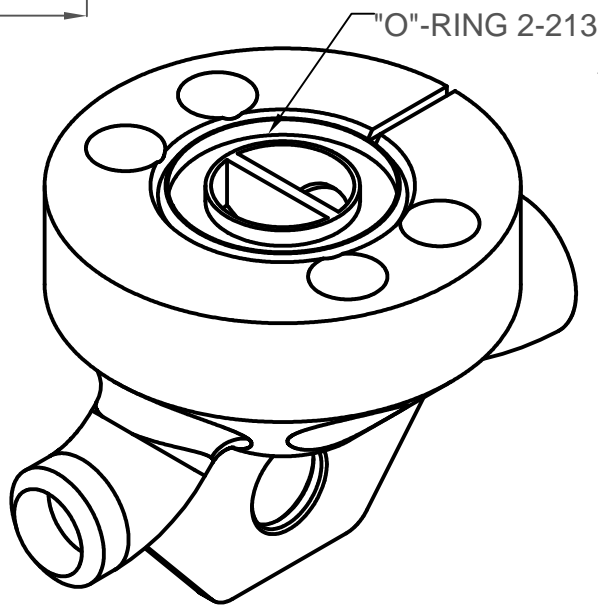


PB-6815p/1/2" x 3/8" Pipes weld prep/90°x90°/ 2 1/2" OD Piping Base connection block, by **PulseGuard**



Mounting hole
Mount the Piping Base
and do not restrain the
dampener on it



Stays part of piping system
- instead of a "T"

Angles stated relative to C/L



PulseGuard <http://www.PulseGuard.com>
<http://www.PulseGuard.co.uk>

PulseGuard für Deutschland www.pulsationdaempfer.com

PulseGuard, de langue Française amortisseurs-des-pulsations.com

PulseGuard, en Español / sud America amortiguador-de-pulsaciones.com

PulseGuard, для Русскоговорящих pulsations-dampfer.com

PulseGuard is the USA registered trade mark of PulseGuard Inc.
PulseGuard is the UK registered trade mark of PulseGuard Ltd.