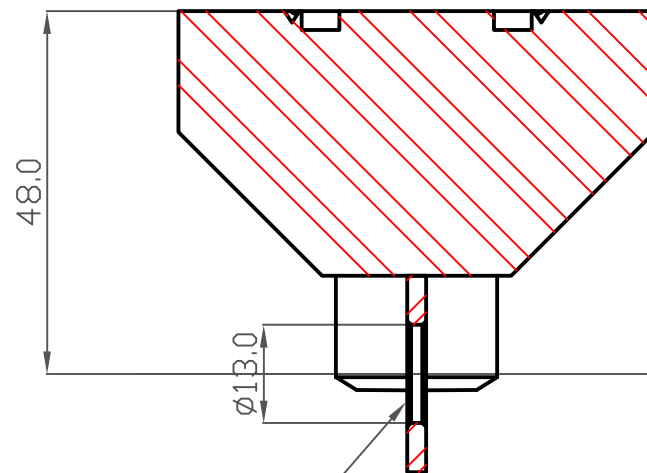
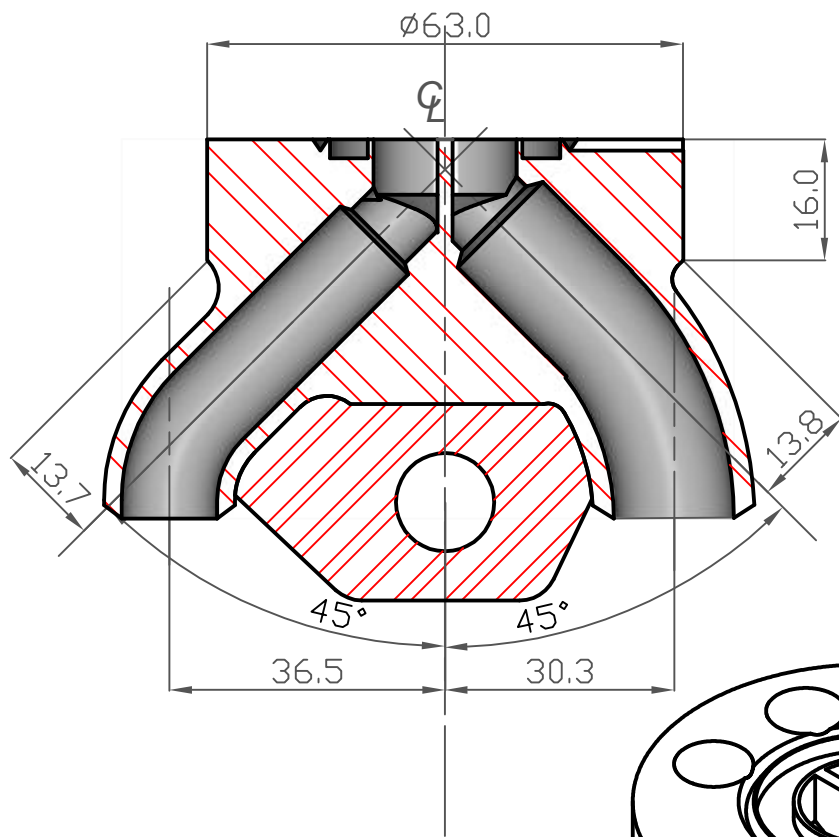
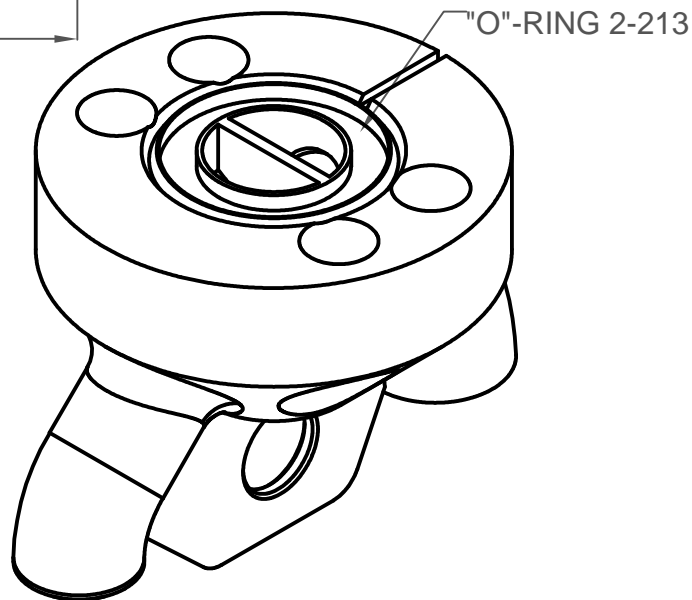


PB-6815p/1/2"x 3/8"Pipes weld prep/0°x0°/ 2 1/2" OD Piping Base connection block, by **PulseGuard**



Mounting hole  
Mount the Piping Base  
and do not restrain the  
dampener on it



Stays part of piping system  
- instead of a "T"

Angles stated relative to C/L



**PulseGuard** <http://www.PulseGuard.com>  
<http://www.PulseGuard.co.uk>  
**PulseGuard für Deutschland** [www.pulsationdaempfer.com](http://www.pulsationdaempfer.com)  
**PulseGuard, de langue Française** [amortisseurs-des-pulsations.com](http://amortisseurs-des-pulsations.com)  
**PulseGuard, en Español / sud America** [amortiguador-de-pulsaciones.com](http://amortiguador-de-pulsaciones.com)  
**PulseGuard, для Русскоговорящих** [pulsations-dampfer.com](http://pulsations-dampfer.com)  
 PulseGuard is the USA registered trade mark of Pulseguard Inc.  
 PulseGuard is the UK registered trade mark of Pulseguard Ltd.