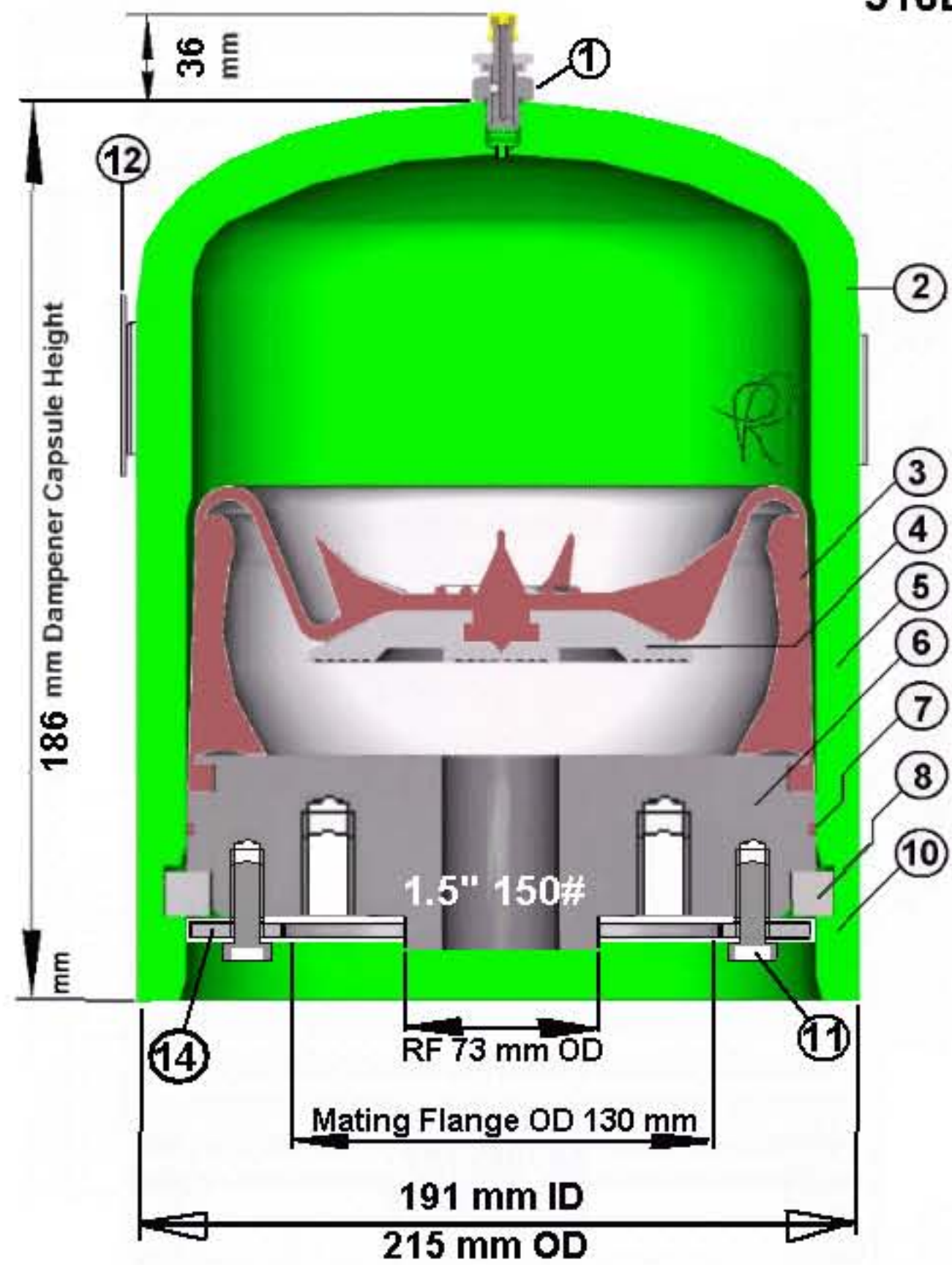


PULSEGUARD "PIPEHUGGER LP" Typical "Phr" Series Pulsation Dampener, with options.

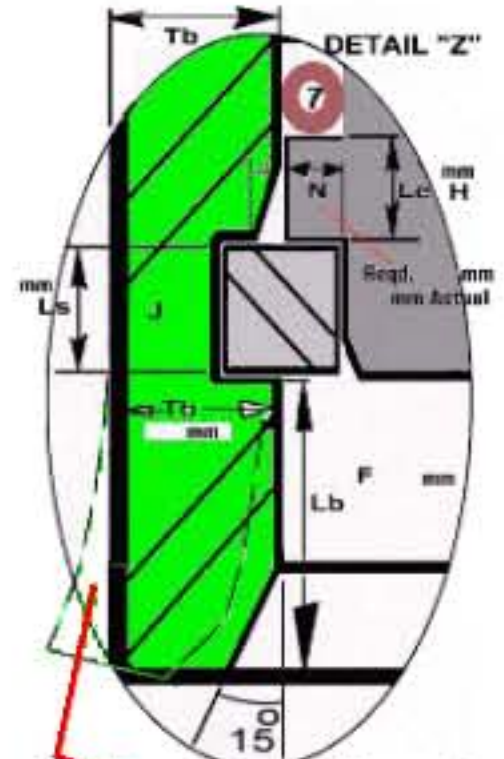
316L, or A20, Tit2, Hasteloy etc wetted metal parts + EP, Nirile, Hypalon, Fluorel etc baldder.



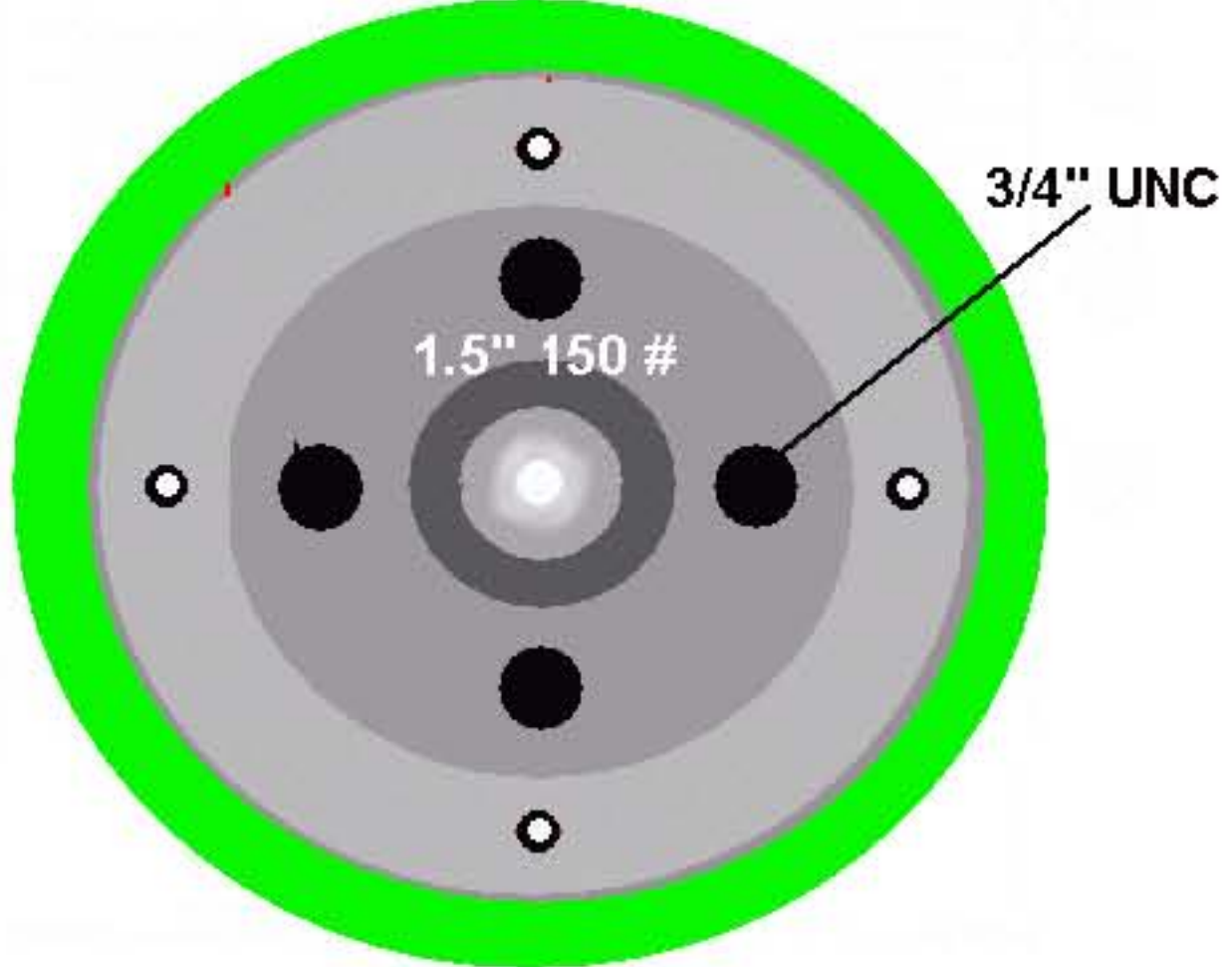
DECLARATION
as required by PED
Mandatory Essential Safety
Requirement "ESR" - to use
'SAFETY COEFFICIENTS'
is not complied with because
neither EN 5500 nor EN 13445
have Safety Coefficients.

$$T = \frac{\text{Design Pressure} \times \text{Radius Internal}}{S} \text{ (From Pt. 2 D 1994) } \times E - (0.6P)$$

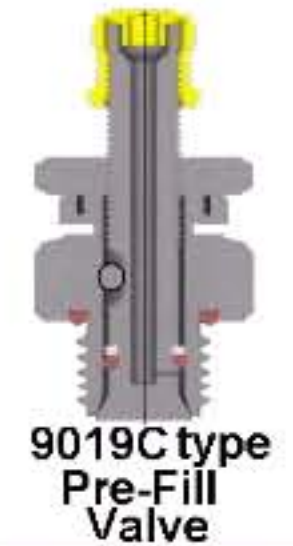
Rule of thumb For failure Control:-
Where T=wall thickness
F, distance in to groove = 1.4T
J, groove width = 0.8T N, depth = 0.45T
Ensures safe depressurization
by the vomit of seal 6 down the
ajacent seal lead in chamfer
15° when the mouth spreads to
to dotted line @ 6Pd.



Exageration for
Illustration



A full Spares Kit Consists of : Pt Nbr. SK/-----



- 22 Stainless Data Plate on stainless banding.
- 19
- 18
- 17
- 16
- 15
- 14 Retaining Plate
- 13
- 12 Stainless Data Plate on stainless banding.
- 11 Socket Head Cap Screws, 4 Places.
Diam. Lgth UH
- 10 Open Mouth "Skirt" from pipe. As 5 Below.
- 8 Lock Ring, tamper-proof, 3 segments of circle.
- 7 "Base Plug" - static diametral seal "O" ring
- 6 End Closure / "base plug" - A20 contact part.
- 5 D.O.M. tubing 8.5" OD 1/2" wall Seamless
- 4 Anti Extrusion Plate A20
- 3 Liquid Bladder "D--- y---" VITON (mm Dia x mm high)
- 2 2:1 SE Head
- 1 Nitrogen Pre-Fill Valve 9019c type,

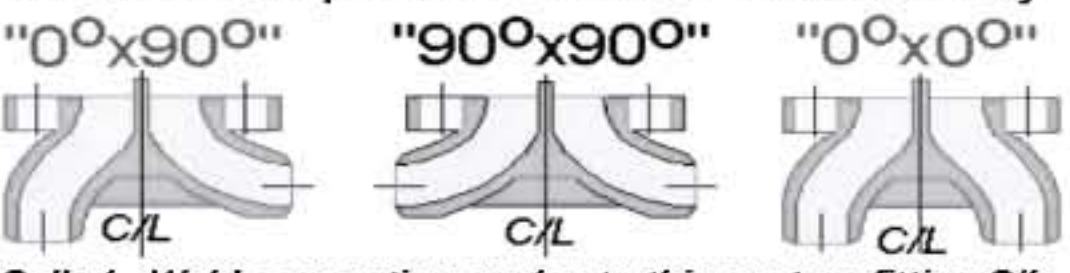
IDENTIFICATION /
TRACEABILITY

Item Nbr	Description / function	Internal "Heat/Cast No" PURCHASE No
BILL OF MATERIALS		

Scale : Please do not print without "MAINTAIN ASPECT RATIO" on, Use A3 paper on A3 paper, Landscape 420mm wide
Part Nbr. / Drawing Ref : Date th 200- Rev Nbr
PeG/FF/ 183 i/ 275 p/D 191 V/ 1 1/2" 150# (Wetted Alloy 20 & Viton)

Options: Extra

PulseGuard "Y-T" block, best flanging to system. In place of System "T", better flushing, & intercepts Pressure wave pulsation. For 37.5° butt weld only.



Called - Weld connection angles to this system fitting C/L



PulseGuard <http://www.PulseGuard.com>
PulseGuard für Deutschland <http://www.PulseGuard.co.uk>
PulseGuard, de langue Francaise www.pulsationdaempfer.com
PulseGuard, en Espanol/ sud Amerique amortisseurs-de-pulsations.com
PulseGuard, dlya Russkogovoryaschih amortiguador-de-pulsaciones.com
PulseGuard is the USA registered trade mark of Pulseguard Inc.
PulseGuard is the UK registered trade mark of Pulseguard Ltd.
UK --44(0)161-480-9625 USA ---1910-270-2737