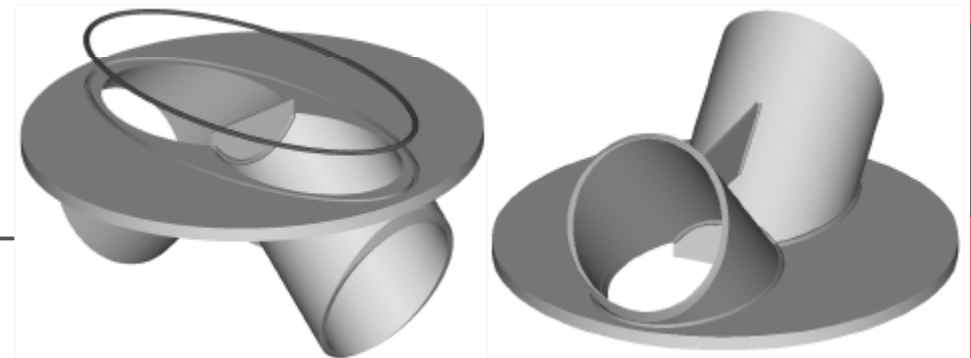
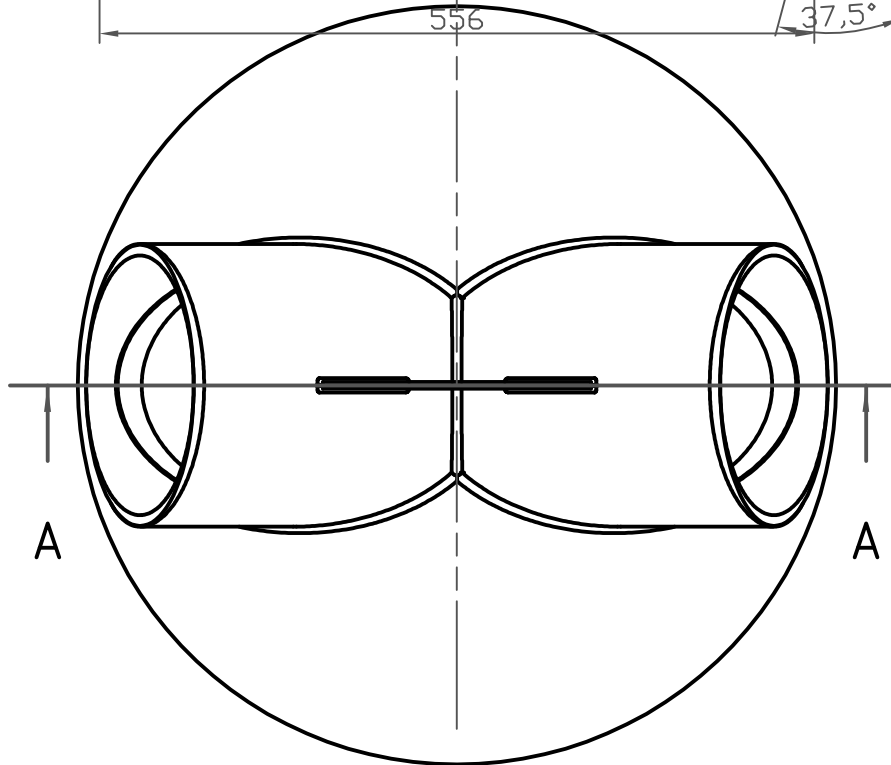
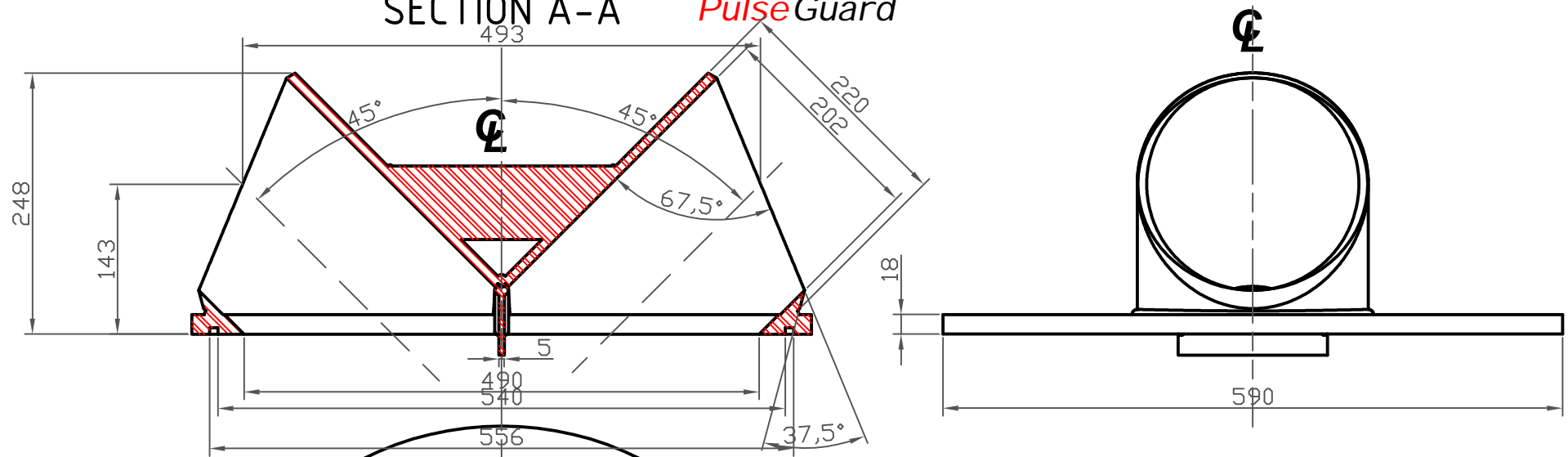


PB LP-2x8" BW37°/2x45°/ 590 mm OD 2 port version Piping Base connection block, by

SECTION A-A **PulseGuard**



PulseGuard <http://www.PulseGuard.com>
<http://www.PulseGuard.co.uk>
PulseGuard für Deutschland www.pulsationdaempfer.com
PulseGuard, de langue Française amortisseurs-des-pulsations.com
PulseGuard, en Español / sud America amortiguador-de-pulsaciones.com
PulseGuard, для Русскоговорящих pulsations-dampfer.com
 PulseGuard is the USA registered trade mark of Pulseguard Inc.
 PulseGuard is the UK registered trade mark of Pulseguard Ltd.