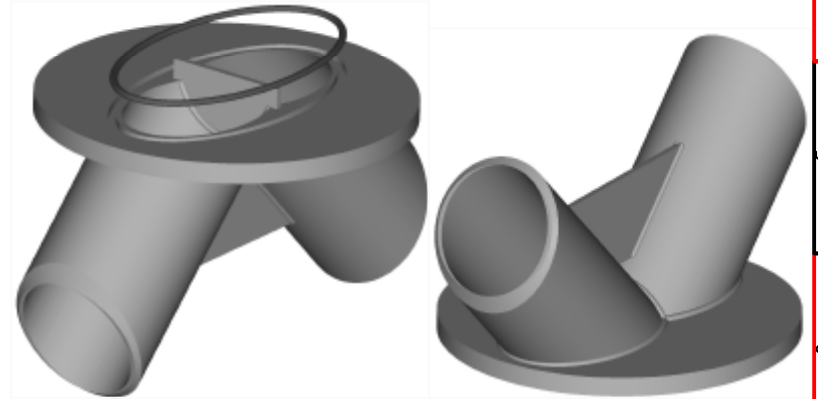
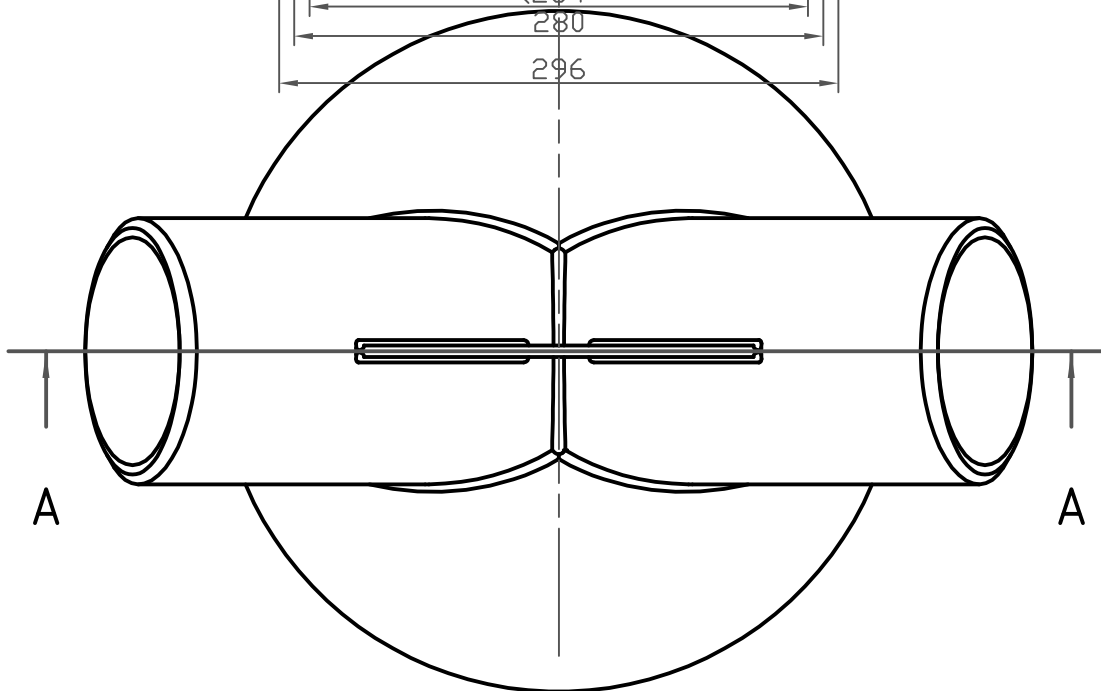
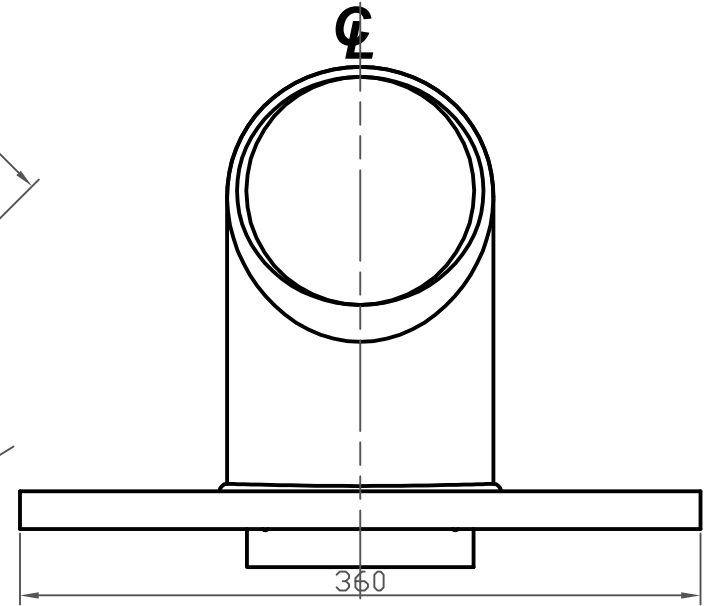
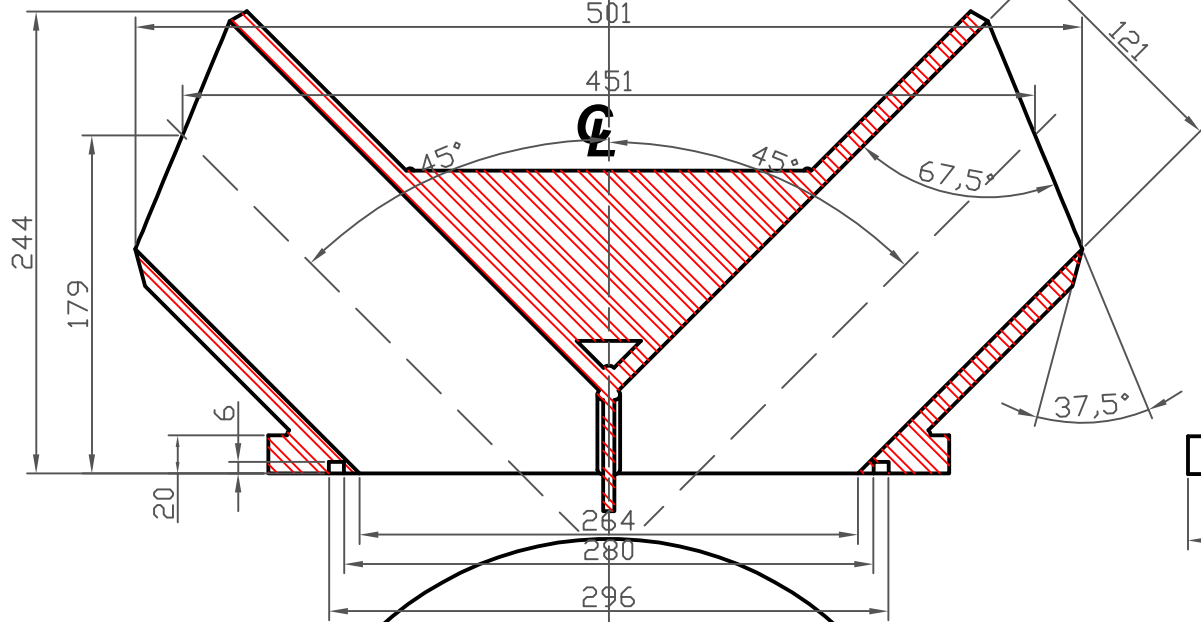


PB LP-2x5" BW37°/2x45°/ 360 mm OD 2 port version Piping Base connection block, by

*PulseGuard*

SECTION A-A



**PulseGuard** <http://www.PulseGuard.com>  
<http://www.PulseGuard.co.uk>  
**PulseGuard für Deutschland** [www.pulsationdaempfer.com](http://www.pulsationdaempfer.com)  
**PulseGuard, de langue Francaise** [amortisseurs-des-pulsations.com](http://amortisseurs-des-pulsations.com)  
**PulseGuard, en Espanol/ sud Amerique** [amortiguador-de-pulsaciones.com](http://amortiguador-de-pulsaciones.com)  
**PulseGuard, для Русскоговорящих** [pulsations-dampfer.com](http://pulsations-dampfer.com)  
 PulseGuard is the USA registered trade mark of Pulseguard Inc.  
 PulseGuard is the UK registered trade mark of Pulseguard Ltd.