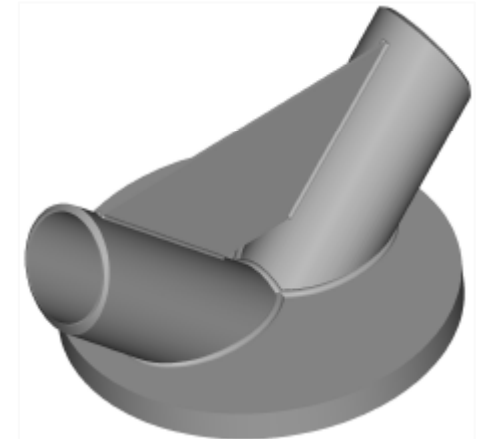
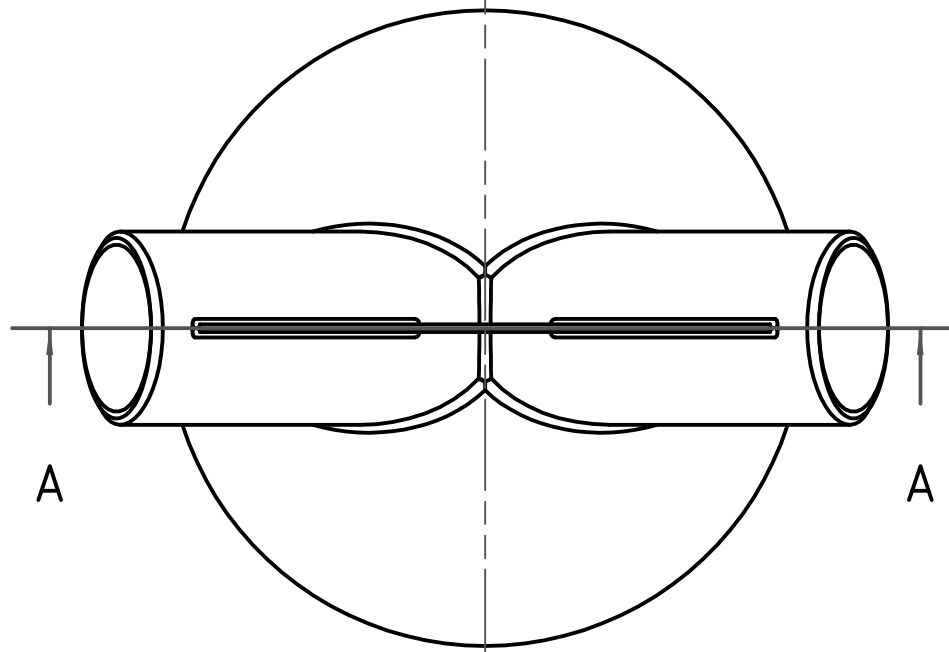
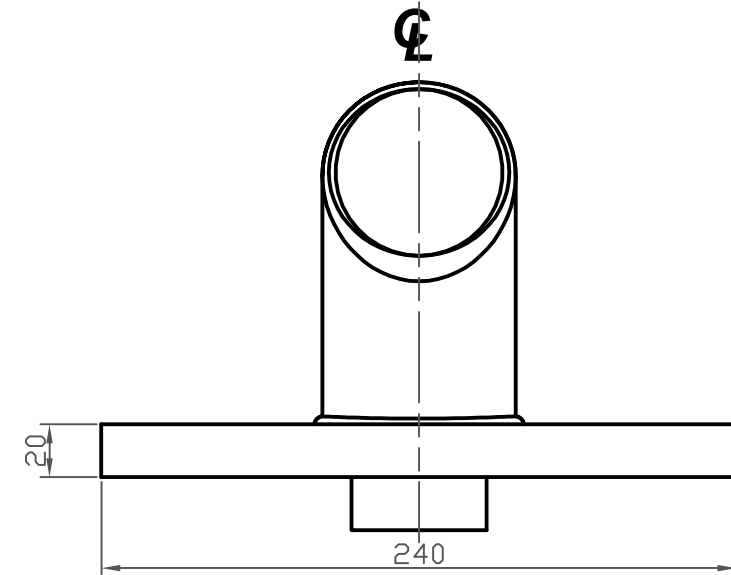
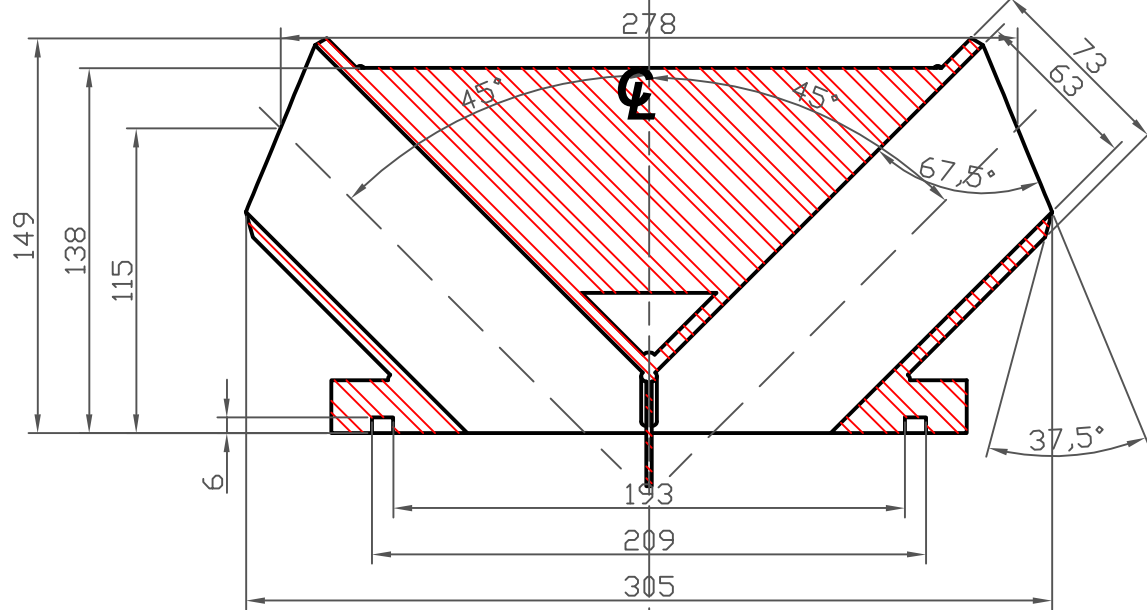


PB LP-2x2 1/2" BW37°/2x45°/240mm OD 2 port version Piping Base connection block, by
SECTION A-A *PulseGuard*



PulseGuard <http://www.PulseGuard.com>
<http://www.PulseGuard.co.uk>
PulseGuard für Deutschland www.pulsationdaempfer.com
PulseGuard, de langue Francaise amortisseurs-des-pulsations.com
PulseGuard, en Espanol/ sud Amerique amortiguador-de-pulsaciones.com
PulseGuard, для Русскоговорящих pulsations-dampfer.com
 PulseGuard is the USA registered trade mark of PulseGuard Inc.
 PulseGuard is the UK registered trade mark of PulseGuard Ltd.