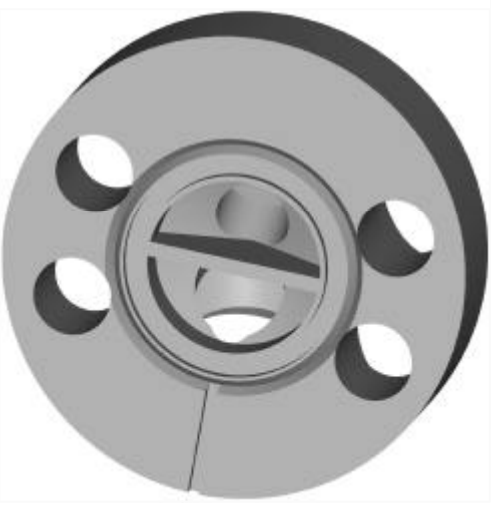
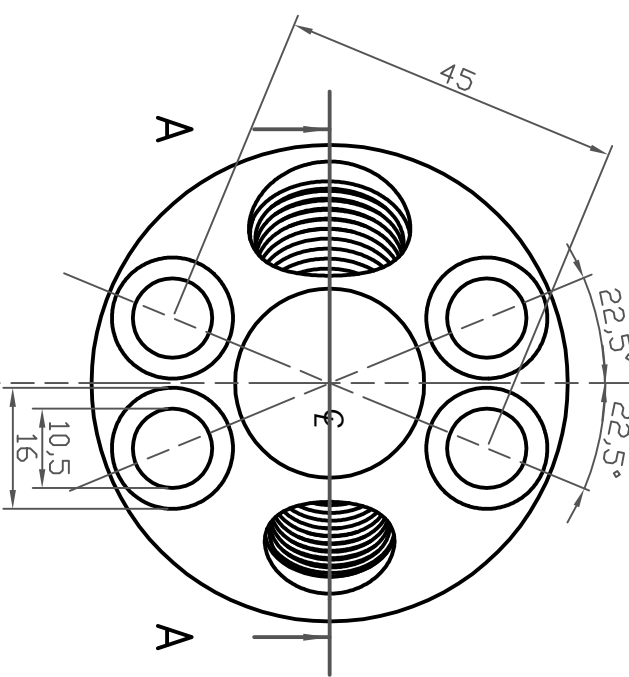
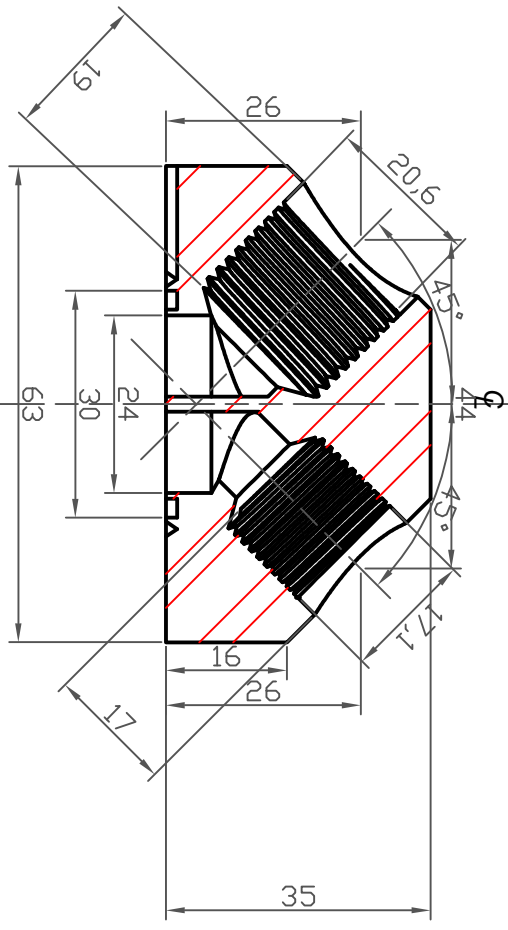


PB-7040p/1/2" x 3/8" FNPT/2x45°/21/2" OD version Piping Base connection block,  
 by **PulseGuard** (Scale 100%, for print Letter, 8 1/2"x11", Fit to Paper Size)  
 SECTION A-A



**PulseGuard**  
<http://www.PulseGuard.com>  
**PulseGuard für Deutschland** [www.pulsationdampfer.com](http://www.pulsationdampfer.com)  
**PulseGuard**, de langue Française amortisseurs-des-pulsations.com  
**PulseGuard**, en Espagnol/and Américain amortiguador-de-pulsaciones.com  
**PulseGuard, для Русскоязычных** пульсаций-дämpfer.com  
**PulseGuard** is the USA registered trade mark of PulseGuard Inc.  
**PulseGuard** is the UK registered trade mark of PulseGuard Ltd.