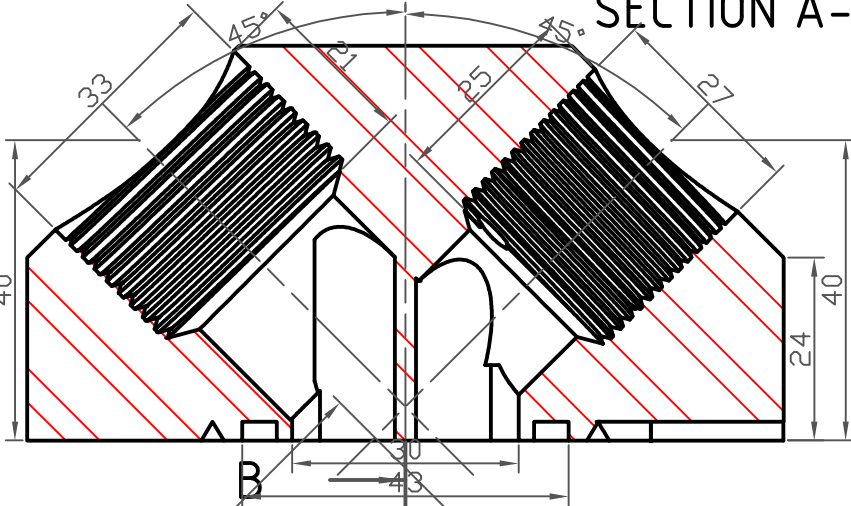
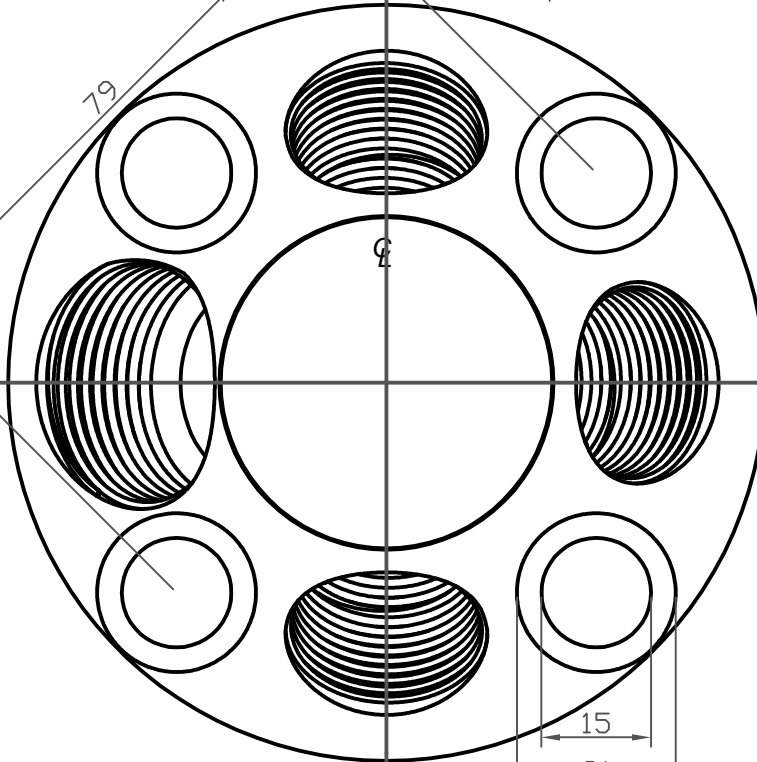
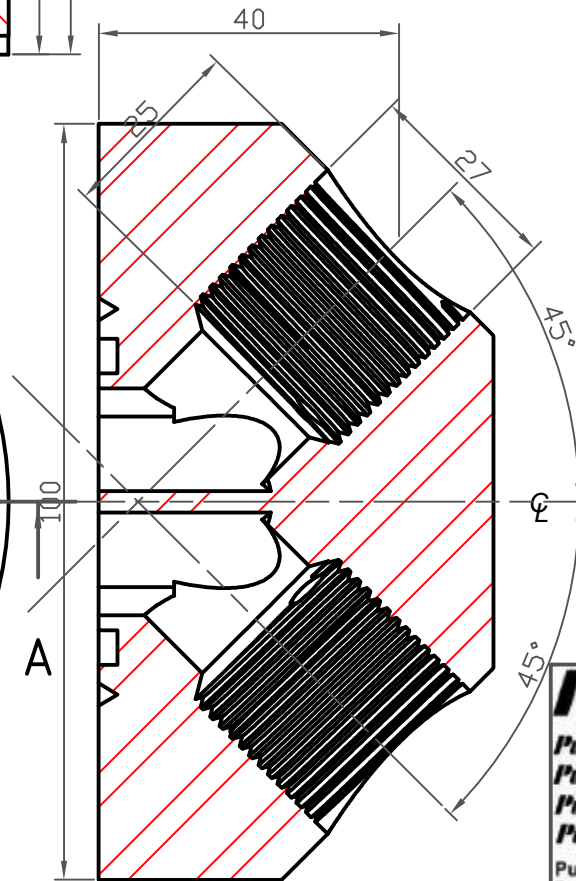


PB-6315p/1x1" & 3x3/4" FNPT/4x45°/4" OD 4 port version Piping Base connect block, by PulseGuard (Scale 100%, for printing Letter, 8 1/2"x11", Fit to Paper Size)

SECTION A-A



SECTION B-B



PulseGuard <http://www.PulseGuard.com>
<http://www.PulseGuard.co.uk>
PulseGuard für Deutschland www.pulsationdaempfer.com
PulseGuard, de langue Française amortisseurs-des-pulsations.com
PulseGuard, en Español / sud America amortiguador-de-pulsaciones.com
PulseGuard, для Русскоговорящих pulsations-dampfer.com
 PulseGuard is the USA registered trade mark of Pulseguard Inc.
 PulseGuard is the UK registered trade mark of Pulseguard Ltd.