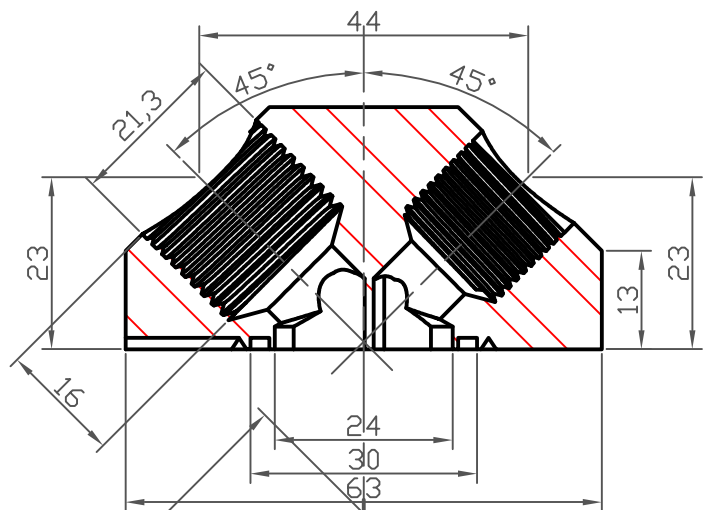
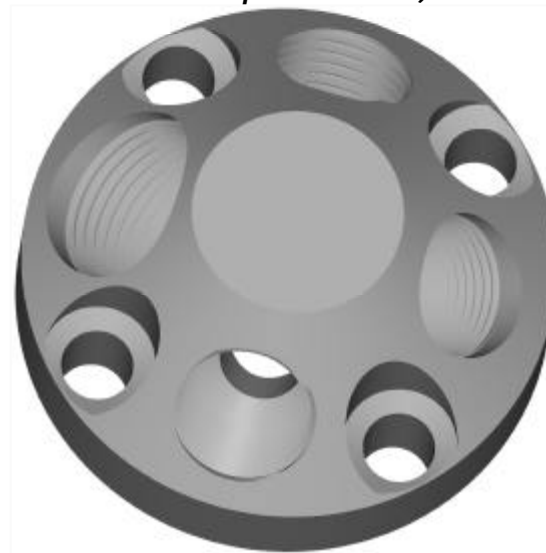
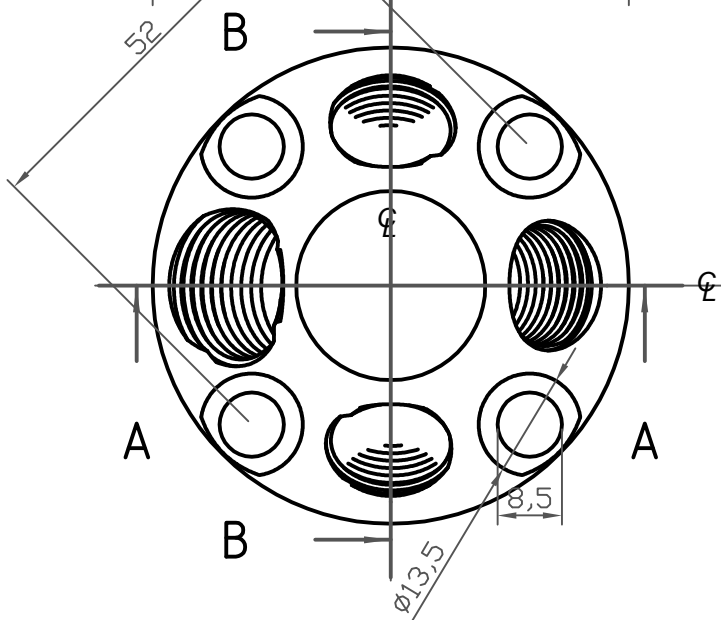
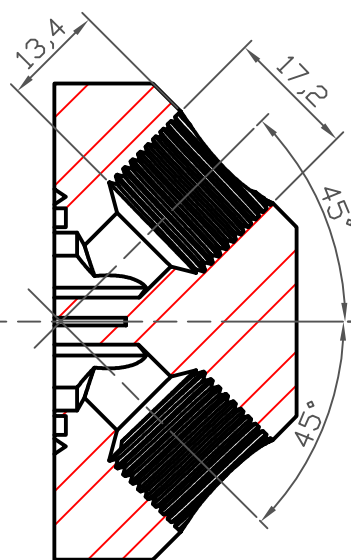


PB-4785p/1x1/2" & 3x3/8" FNPT/4x45°/2 1/2" OD 4 port version Piping Base connect block, by PulseGuard (Scale 100%, for printing Letter, 8 1/2"x11", Fit to Paper Size)

SECTION A-A



SECTION B-B



**PulseGuard** <http://www.PulseGuard.com>  
<http://www.PulseGuard.co.uk>  
**PulseGuard für Deutschland** [www.pulsationdaempfer.com](http://www.pulsationdaempfer.com)  
**PulseGuard, de langue Française** [amortisseurs-des-pulsations.com](http://amortisseurs-des-pulsations.com)  
**PulseGuard, es Español / sud America** [amortiguador-de-pulsaciones.com](http://amortiguador-de-pulsaciones.com)  
**PulseGuard, для Русскоговорящих** [pulsations-dampfer.com](http://pulsations-dampfer.com)  
 PulseGuard is the USA registered trade mark of Pulseguard Inc.  
 PulseGuard is the UK registered trade mark of Pulseguard Ltd.