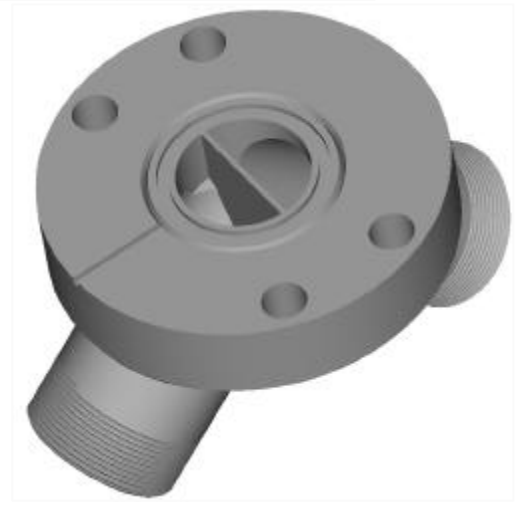
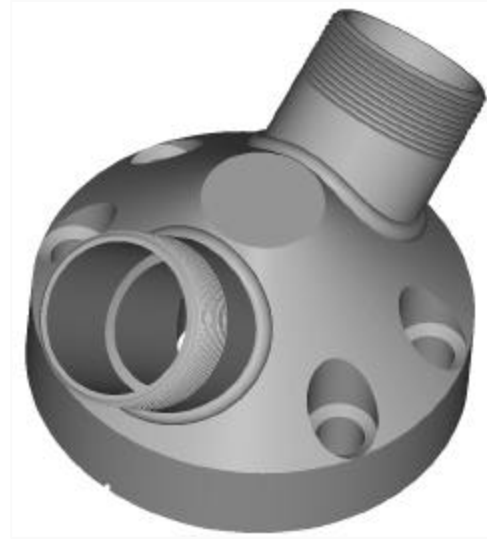
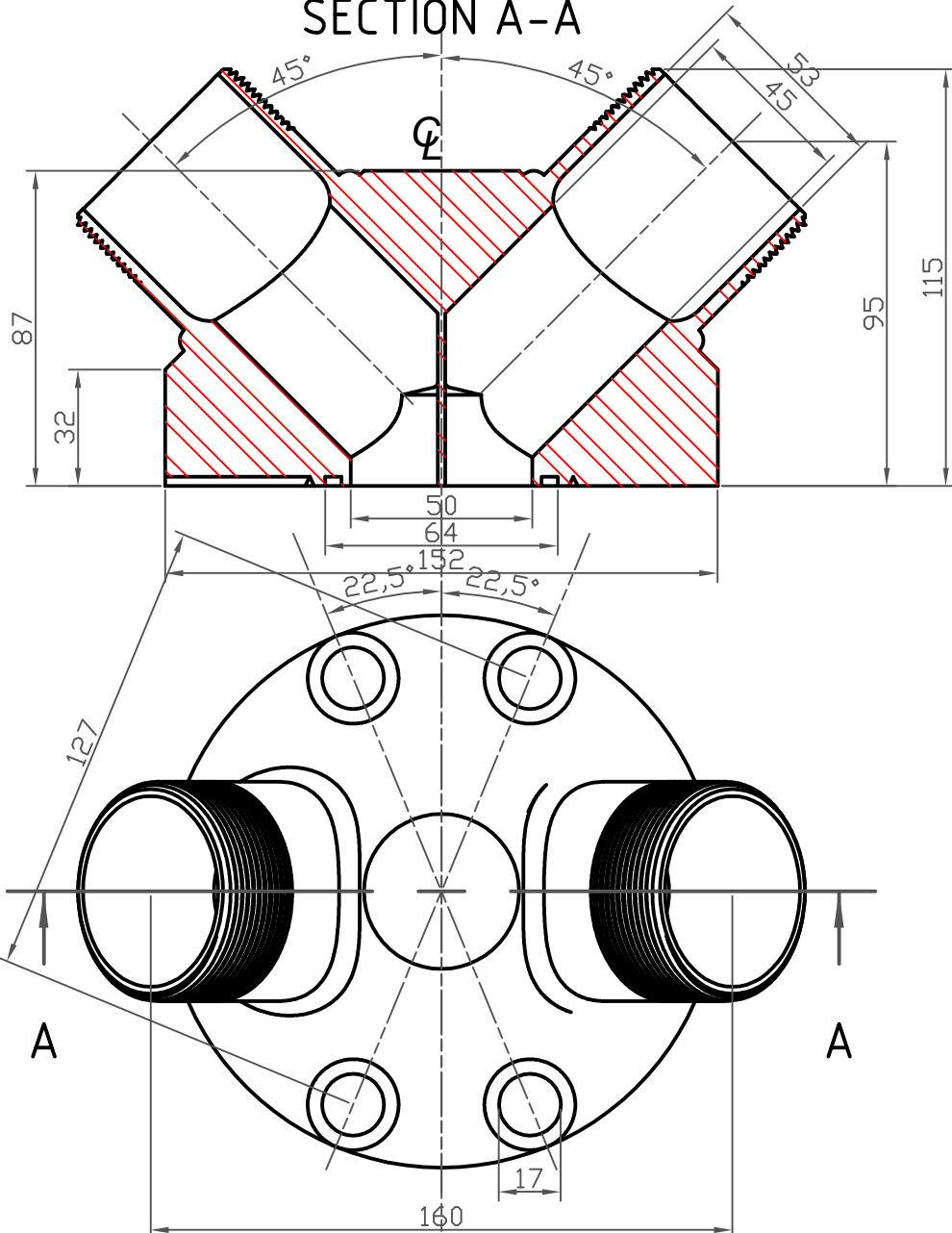


PB-4369p/2x2"MNPT/2x45°/6"OD Piping Base connection block, by **PulseGuard**

(Scale 50%, for printing Letter, 8½"x11", Fit to Paper Size)

SECTION A-A



PulseGuard <http://www.PulseGuard.com>
<http://www.PulseGuard.co.uk>
PulseGuard für Deutschland www.pulsationdaempfer.com
PulseGuard, de langue Française amortisseurs-des-pulsations.com
PulseGuard, en Español / sud America amortiguador-de-pulsaciones.com
PulseGuard, для Русскоговорящих pulsations-dampfer.com
 PulseGuard is the USA registered trade mark of Pulseguard Inc.
 PulseGuard is the UK registered trade mark of Pulseguard Ltd.