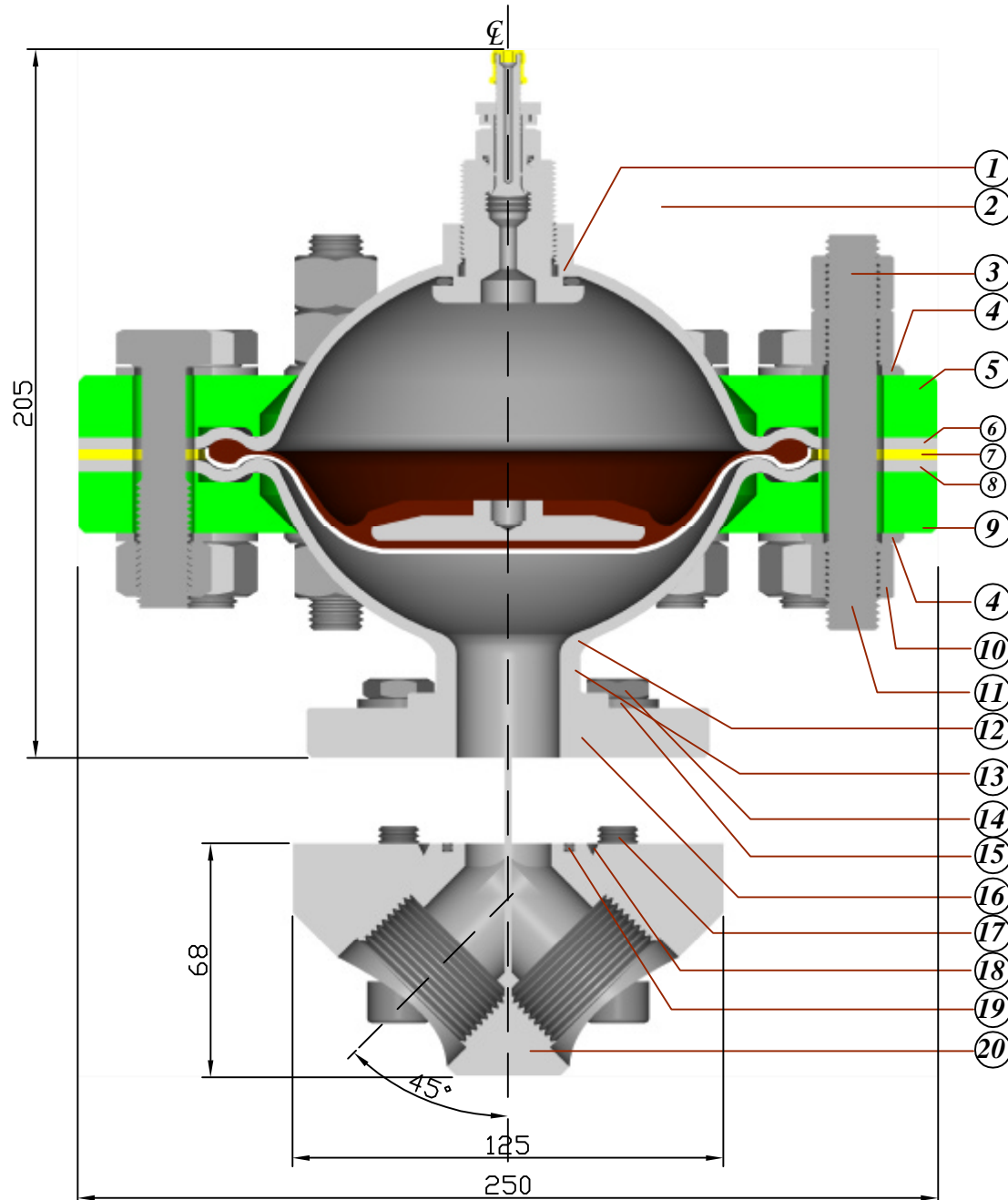


# FlexOrber /LP 1.0 Liter / 35 Bar with connections By PulseGuard



20	Piping base block, up to 4 ports
19	Face "O" seal
18	Pressure relief escape groove
17	Socket head bolting, 4 equi-spaced
16	Max connection OD to pass between A-A, 127mm or 5"
15	1/2" flat washers. Can be 4 by 1/2" socket head bolts or 3.54" PCD
14	Nuts for 4 by 1/2" socket heads on 2.625" PCD
13	1 1/4" Schedule 160 pipe nozzle. ANSI flange 1 1/4" 150# 4.6" OD
12	Flared transition, 1 1/4" sch 160 to 4mm head, hole reinforcement
11	3 places - All-thread on same Pitch Circle Diameter as boltings
10	Nuts, 1 for each bolt, 3 per all-thread, provides 1 for mounting
9	Support ring - liquid side. Contact outside the bolt circle
8	Spacer ring. Contact outside bolt circle
7	Flanged dishing, liquid side. Contact outside bolt circle
6	Flange of dishing, contact outside bolt circle
5	Support ring - gas side, steel
4	Large flat washers
3	Bolts 9 places, Mounting, long "all-threads" 3 places
2	N2 Side, Hydro-forged head w/28mm aperture
1	Nitrogen Side, Hydro-forged head w/prefill boss

Item Nbr	Description/function
----------	----------------------

Scale 2:1 please do not print without " Maintain aspect ratio " on. Use A4 paper Landscape 297mm wide

Part nbr./Drawing Ref: Date Sep 15th 2006 Rev Nbr  
SoG/Iss/61/500p/316L-PRE+PB/1 1/4"x1 1/4"F NPT/316L

**PulseGuard** <http://www.PulseGuard.com>  
<http://www.PulseGuard.co.uk>

**PulseGuard für Deutschland** [www.pulsationdaempfer.com](http://www.pulsationdaempfer.com)  
**PulseGuard, de langue Francaise** [amortisseurs-des-pulsations.com](http://amortisseurs-des-pulsations.com)  
**PulseGuard, en Espanol/ sud Amerique** [amortiguador-de-pulsaciones.com](http://amortiguador-de-pulsaciones.com)  
**PulseGuard, для Русскоговорящих** [pulsations-dampfer.com](http://pulsations-dampfer.com)

PulseGuard is the USA registered trade mark of Pulseguard Inc.  
PulseGuard is the UK registered trade mark of Pulseguard Ltd.