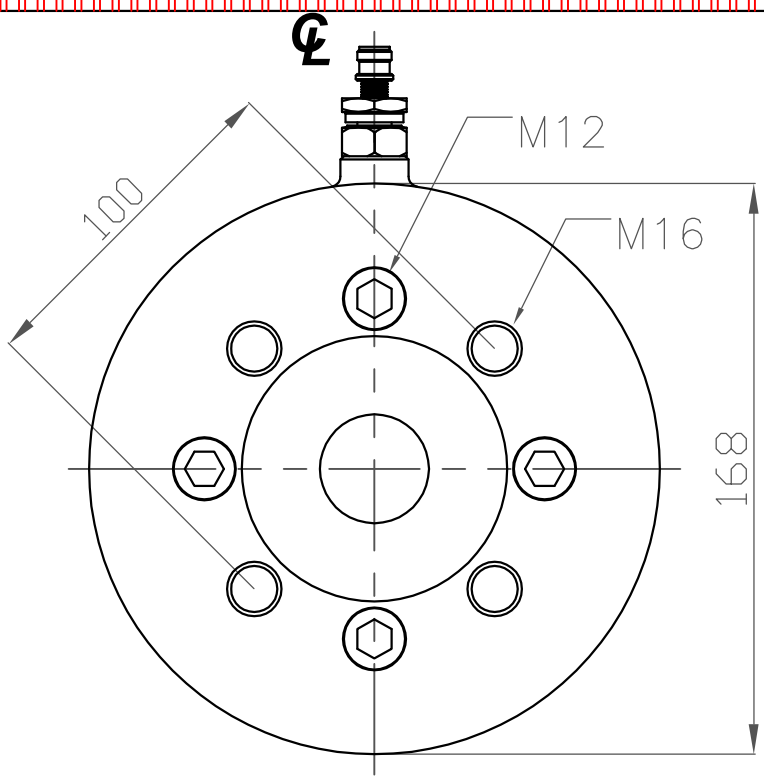
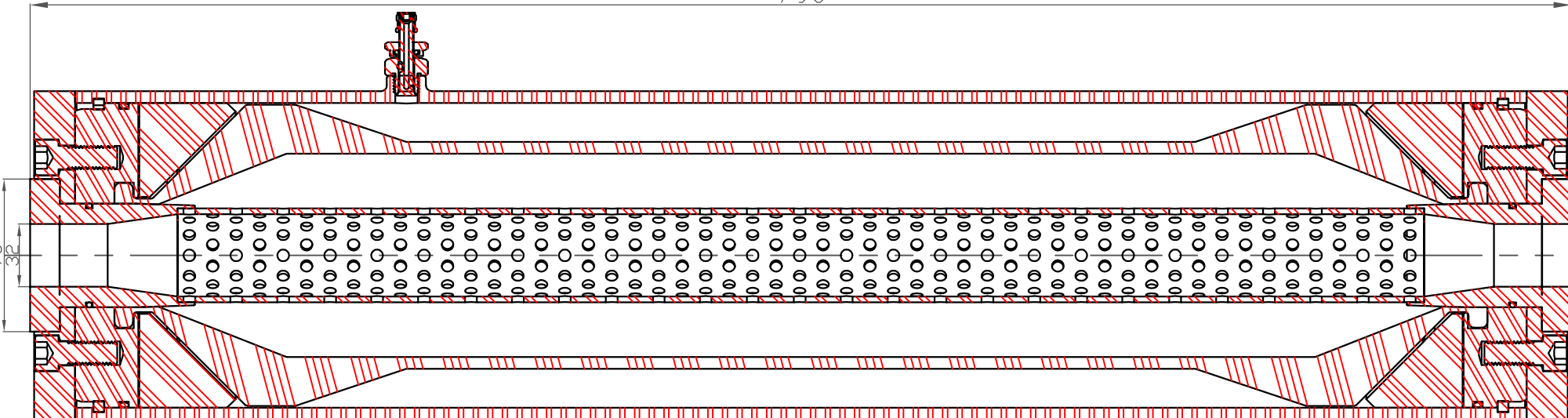


PuG 3 RF/702i/74x58x154x116x680/358p/DN32 PN16/316/316L by **PulseGuard**

790



**PulseGuard** <http://www.PulseGuard.com>  
<http://www.PulseGuard.co.uk>

**PulseGuard für Deutschland** [www.pulsationdaempfer.com](http://www.pulsationdaempfer.com)

**PulseGuard, de langue Francaise** [amortisseurs-des-pulsations.com](http://amortisseurs-des-pulsations.com)

**PulseGuard, en Espanol / sud Amerique** [amortiguador-de-pulsaciones.com](http://amortiguador-de-pulsaciones.com)

**PulseGuard, для Русскоговорящих** [pulsations-dampfer.com](http://pulsations-dampfer.com)

PulseGuard is the USA registered trade mark of Pulseguard Inc.  
PulseGuard is the UK registered trade mark of Pulseguard Ltd.