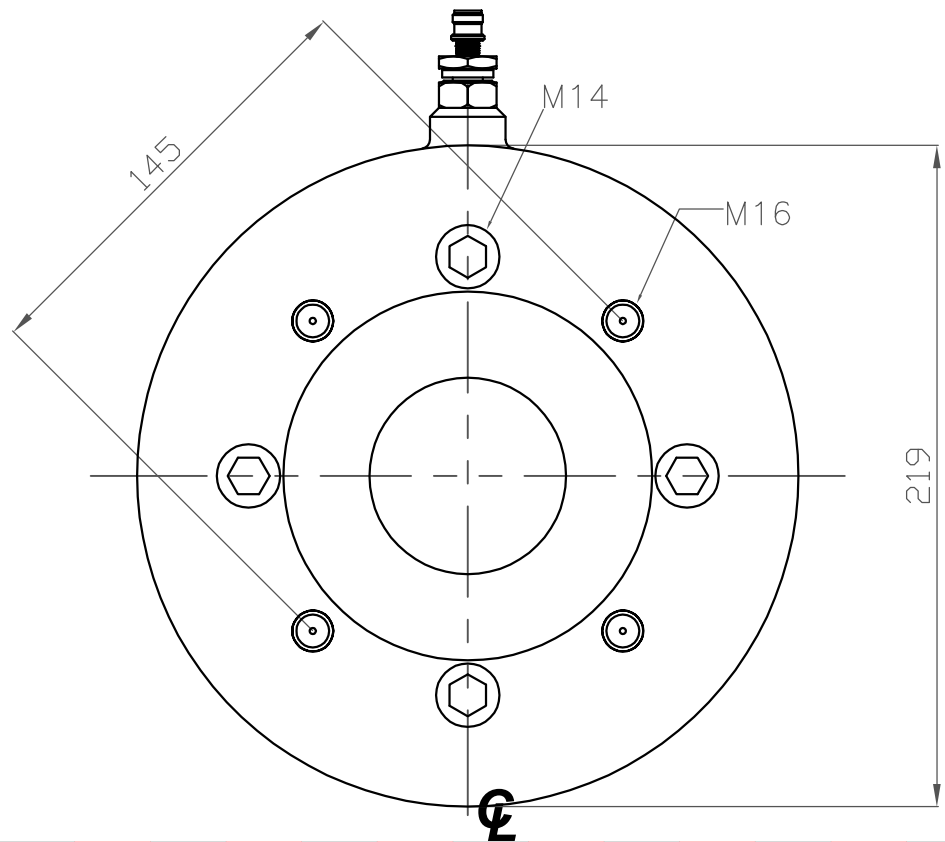
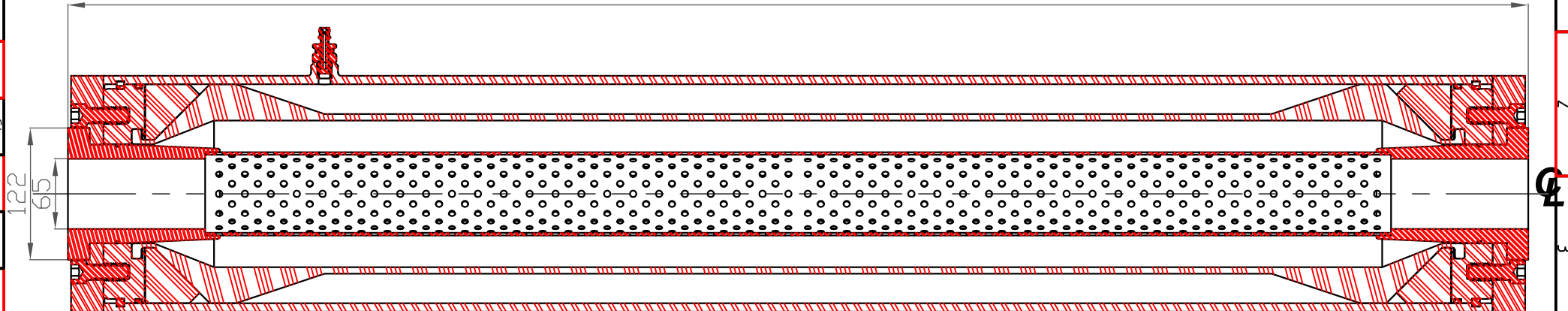


PuG 10RF/2319i/120x100x203x148x1223x/358p/DN65 PN16/316/316L by **Pulse**
Guard
 1356



PulseGuard <http://www.PulseGuard.com>
<http://www.PulseGuard.co.uk>
PulseGuard für Deutschland www.pulsationdaempfer.com
PulseGuard, de langue Francaise amortisseurs-des-pulsations.com
PulseGuard, en Espanol/ sud Amerique amortiguador-de-pulsaciones.com
PulseGuard, для Русскоговорящих pulsations-dampfer.com
 PulseGuard is the USA registered trade mark of Pulseguard Inc.
 PulseGuard is the UK registered trade mark of Pulseguard Ltd.