

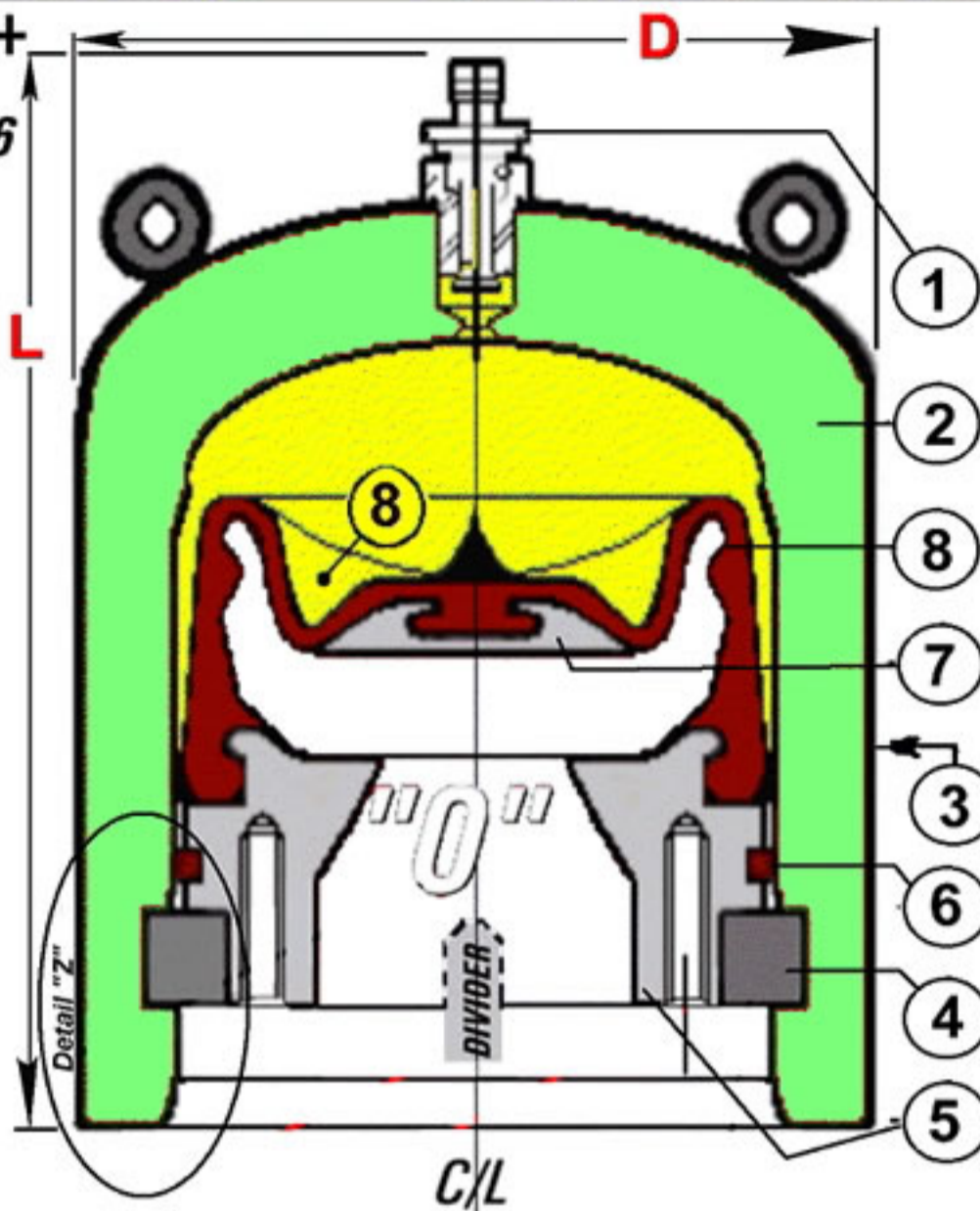
PipeHugger In most popular form. "O" face + Pipe base

Typical "level 1" Drawing, no extra charge.

Under license from M. Packer since 1963



EG:- Phr/"O"/-Lt./-Br/316 +
or --/-In3/-Psi/--
EX: PB/90x90/DN--PN--/316
or --/--"---#/--



D Outside Diameter	
L Overall Length	
CC Connection to Connection	

The Most Popular

For minimum "down time"
4 socket head cap screws
release the PipeHugger from
the Piping Base block,
maintaining system integrity
& using 4 minutes for a swap
to a standby spare capsule

Jig Built, "PBs" give you
exact dimensions at a lower
cost than on site pipe
fabrication.

Normally welded perm-
anently into the system,
but may be flanged for you.

Rule of thumb For failure Control:-

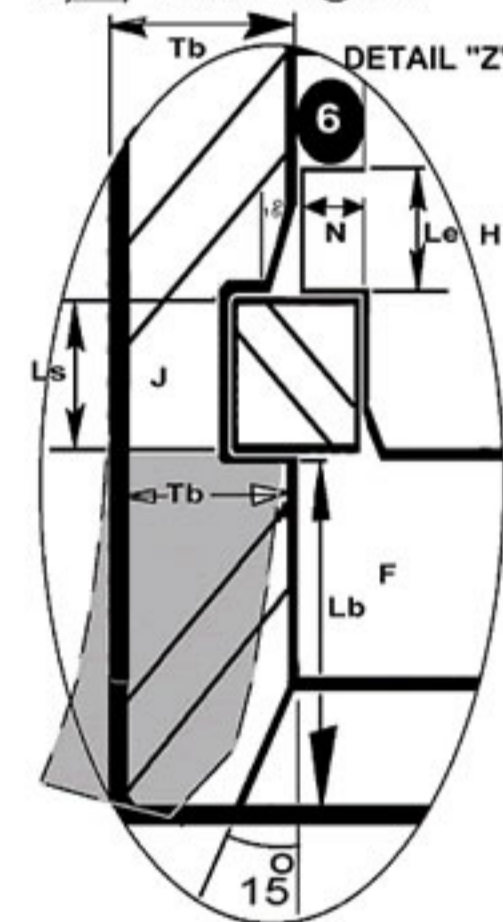
Where T=wall thickness

F, distance in
to groove = 1.4T

J, groove width = 0.8T

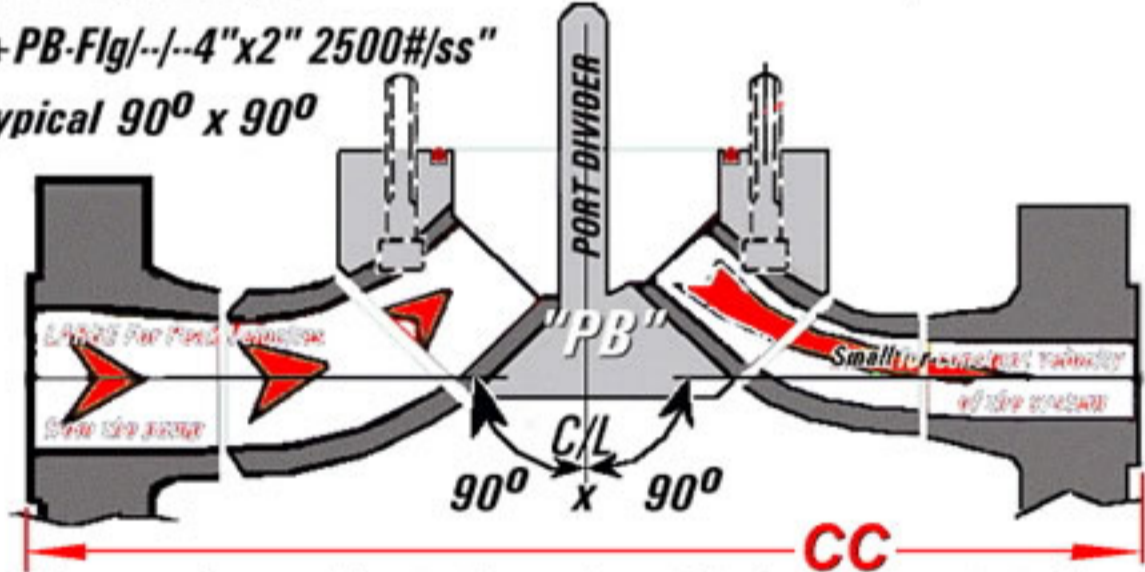
N, groove depth = 0.45T

Ensures safe depressurization
by the vomit of seal 6 down the
ajacent seal lead in chamfer
15° when the mouth spreads to
to dotted line @ 6Pd.



"+PB-Flg/-/-4"x2" 2500#/ss"

Typical 90° x 90°



ANSI B16.5
or DN-PN--
Flange Stds.

Your Connection orientation, should always be stated as
an angle relative to the damper center line (C/L)

The popular preference shown above is called 90°x90° "90x90"

Connection Specification	
ANSI B16.5 DN-PN	
CUSTOMER:	
CUSTOMER REF.:	
QUANTITY:	
W/O No.:	
W: Procedure Nbr.	
WEIGHT (EST.):	
ISSUED BY:	
CHECKED BY:	
ISSUE DATE: 10 Jly 1979	
FILE REF: Phr+PBfg.bmp	
SCALE: NTS	ALL DIMENSIONS ARE MM EXCEPT AS STATED.
SHEET: 1 OF 1	REV. 0

Item	Part No.	Description	Material	I.D. #
1	9019C	N2 Prefill	304ss	
2		Cap-Gas	2:1 S.E. head	
3		Body (Shell)	106 Smls Pipe	
4		Segmental Lock Ring	from 106 Smls Pipe	
5		End-closure	PVQ Plate	
6		Seal		
7		Anti-Ext.Button		"Non Pressure Retaining component"
8		Diaphragm & Webs		"Non Pressure Retaining component"

PULSEGUARD Ltd. & Inc.
Guard Against Pulsation Licensed M. Packer 1963

ISO 9001 - 95-LON-AQ-458
www.pulseguard.co.uk
PO Box 47 Stockport SK5 7BB Ches. UK

Vessel Cert. 29289
www.pulseguard.com
Box 506 Hampstead NC 28443-9110 USA
-01-910-270-2737
Fax. -01-910-270-2740

In association with ShockGuard Ltd & Liquid Dynamics International Ltd

PIPE LINE SURGE PROTECTION
ANALYSIS DIAGNOSTICS SOFTWARE

TITLE
APPLICATION